

IPC400N-MPK Series Mega Pixels HD Box IP Camera Specifications



>>| Product Introduction

IPC400N-MPK series IP camera is based on IP network achieve network digital surveillance; transmit clear, smooth video surveillance images.

IPC400N-MPK series use Mega Pixels 1/3" Progressive Scan CMOS and advanced H.264 codec, Maximum digital images resolution: 1280*960. Supports dual streaming, Transmit high-quality H.264 video in the low-bandwidth network environment smooth, also supports MJPEG compression; Support DC drive auto iris lens; Support audio, alarm function, provide third-party systems integration interface.

The series are suitable for public security, banking, ports, schools, buildings, residential zone and other places, Have excellent image reproduction capability in the low illumination environment, It is a good choice for digital HD video network surveillance.

>>| Naming rules

IPC400N-MPK – X

Network type

WiFi: Wireless WIFI network

POE: POE Power supply

3G: 3G WCDMA (HSDPA/HSUPA/HSPA+) or CDMA2000 EVDO

>>| Key Features

- ◆ 1/3" Progressive Scan CCD, Capture motion images without jagged
- ◆ Max resolution:1280×960
- ◆ H.264/MJEG is optional, dual streaming, high compression ratio, and high quality.
- ◆ Auto iris, auto electronic shutter
- ◆ High signal-to-noise ratio, Clear image

E-Lins Technology Co., Limited

Add: 1007A, MinTai Bld., Minkang Road, Minzhi Street, Bao'an District, ShenZhen, 518000, China

Tel: +86-755-33231620 E-mail: sales@szelins.com www.szelins.com

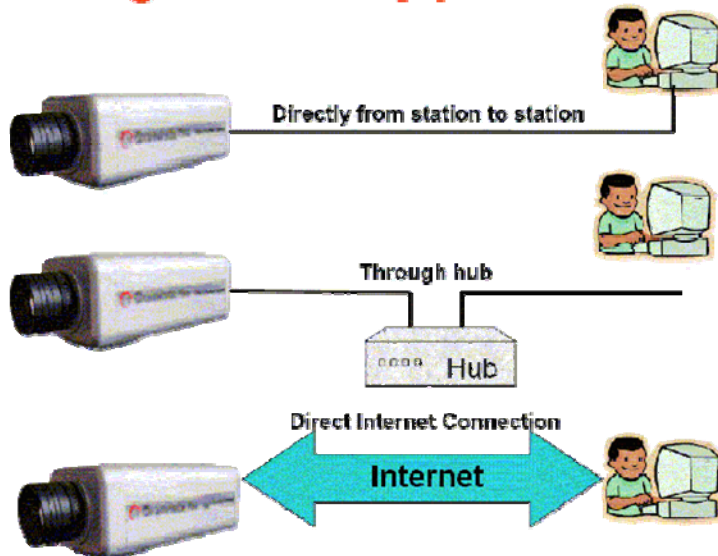
- ◆ Built-in MIC
- ◆ 1 channel CVBS video output
- ◆ Support Micro SDHC storage; SD2.0 standard, maximum storage 32G
- ◆ Power supply: DC12V/POE (Optional)
- ◆ Support 4 area privacy mask
- ◆ Support motion detection, network fault detection and alarm video, image snapping
- ◆ Built-in Web server enables the use of a standard Web browser for viewing and management.
- ◆ Support ONVIF protocol
- ◆ Support JPEG snap, the fill light synchronization, support: video trigger, external I/O trigger, network trigger, RS-485 trigger, Support a red light of the illegal had a car 3 even pat function
- ◆ Support traffic light status, video Trigger

>>| Applications Scenarios

Suitable for Financial, government, schools, airports, factories, hotels, museums, especially the traffic monitoring, etc.

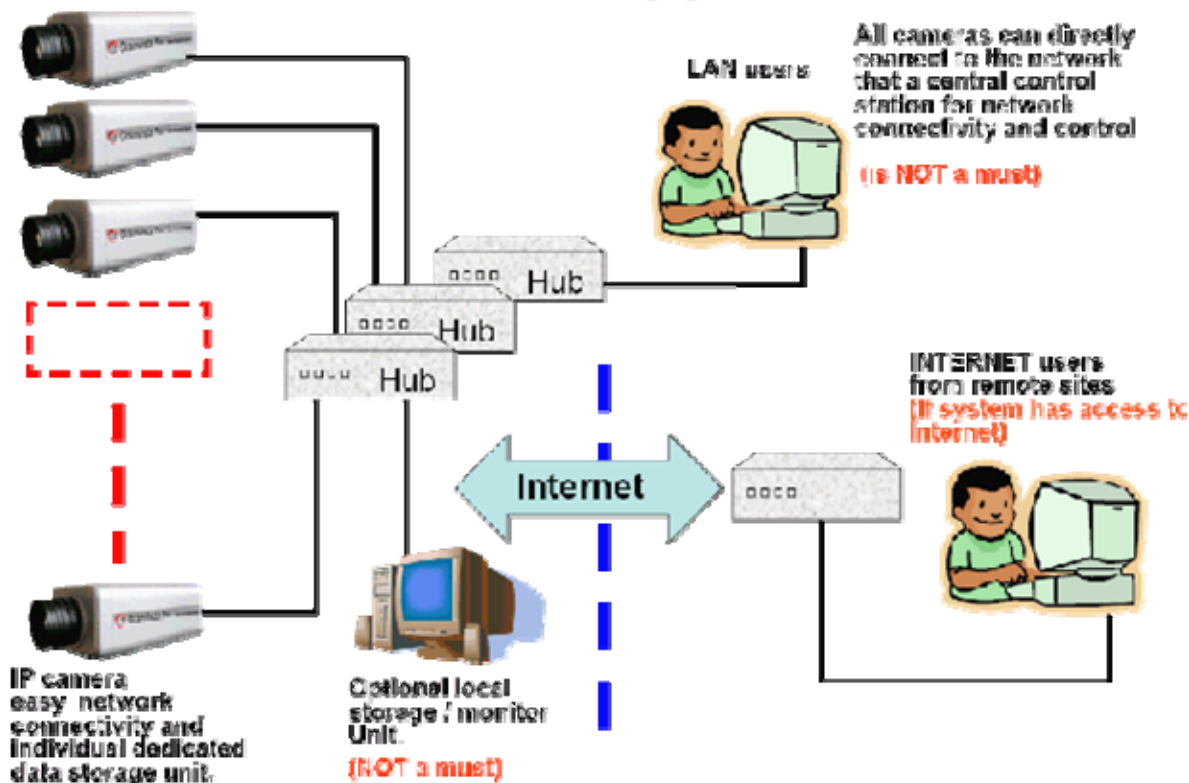
>>| Typical Application Diagram

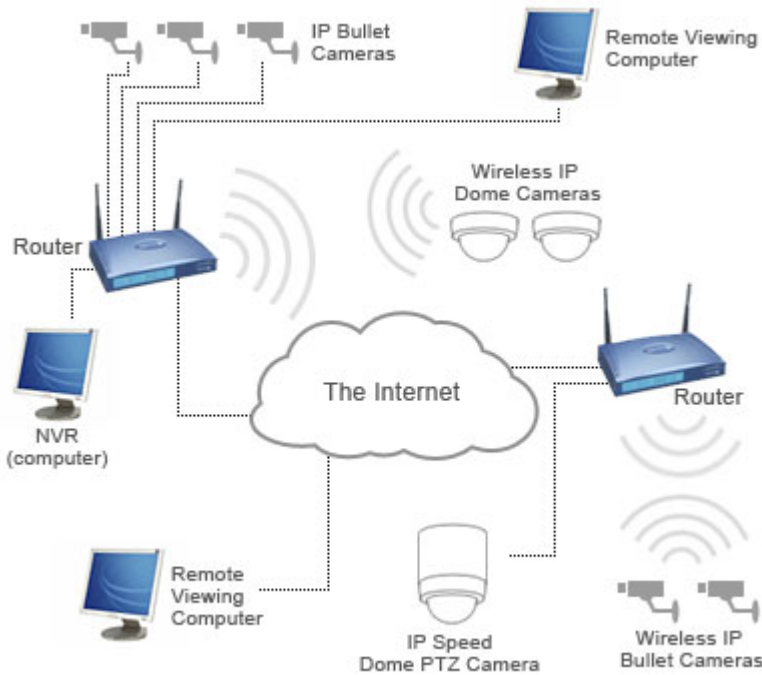
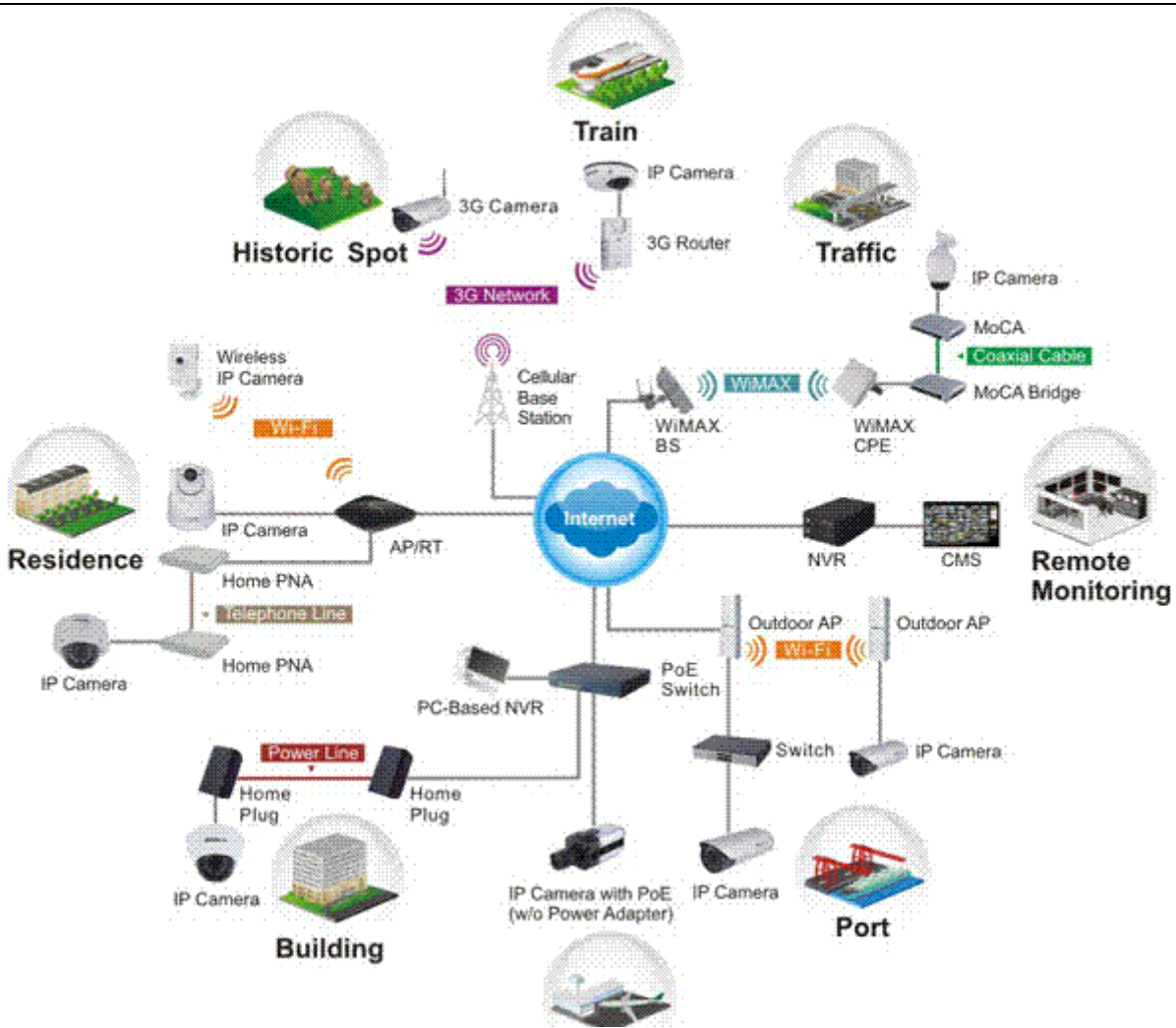
Single unit applications



- ✓ After it is setup and activated, the camera stores data on built-in SD card first-in-first-out basis. No maintenance is required.
- ✓ Ideal for single camera application. No central processing or data recording unit is required.
- ✓ Your most powerful and cost-effective choice for single camera application.

Multi-camera applications





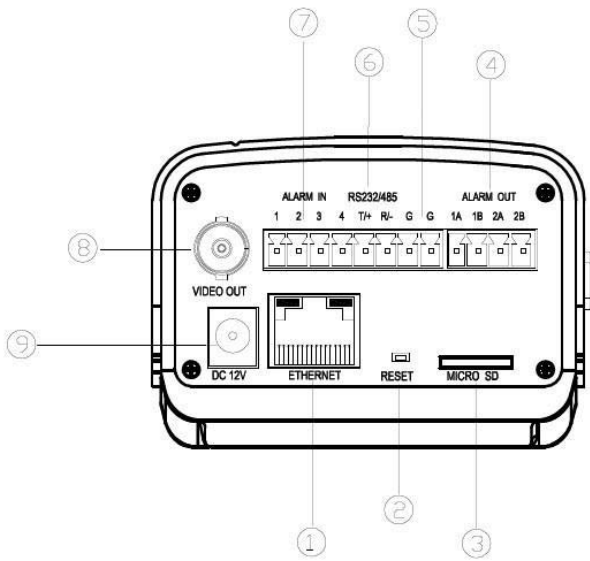
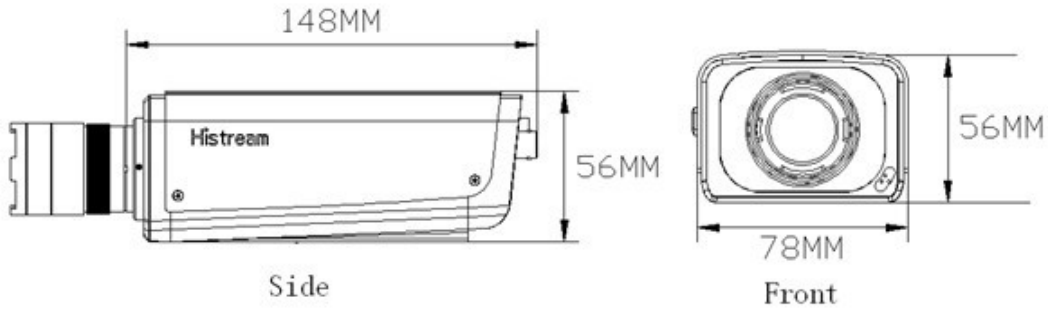


>>| Specification

Series		IPC400N-MPK/(-POE)
Hardware		
Network chip	Lan	Realtek 10/100M BASE-TX Self-adapting
Sensor		1/3" SONY Progressive Scan CCD
Effective Pixels		1280(H)×960(V)
Total pixels		1.3M
Min. Illumination		Color Mode:0.1Lux@F1.2;B/W Mode:0.01Lux@F1.2
S/N		≥50db(AGC OFF)
Day/night		Auto
Auto Electronic Shutter		1/25-1/100000sec,Slow shutter:1/2,1/4,1/8,1/12sec
Interfaces		
CVBS video output		1 channel, BNC connector
Optical lens	Interfaces	CS/C
	Lens	Auto Iris(DC drive)
	Focal Length	Optional
Communication Interface		1 RS-232/RS-485 Interface, Half-duplex
Trigger input		4channel
Trigger output		2channel(Opto-isolation3500VAC)
Storage Interface		SDHC card supports video storage and image snapping; SD2.0 standard,maximum storage 32G
Network Interface	Lan	10/100M BASE-TX,RJ-45 connector

I/O		1-channel input, Normally Open/Normally Close modes adjustable; 1-channel output, 120VAC 1A/24VDC 1A,1 RS485 interface
Audio video encoding		
Video Compression		H.264 Main Profile; MJPEG/JPEG Baseline
Resolution	Master Streaming	1280*960,1-12.5fps/sec (PAL) 1280*720,1-25fps/sec (PAL)
	Second Streaming	640*480,1-25fps/sec 320*240,1-25fps/sec 160*112,1-25fps/sec
Video Bitrate		32Kbps~16Mbps,Supports CBR/VBR
Title OSD		Supports channel name, date, and video stream information overlay; OSD location is adjustable
Audio Compression		G.711, G.726,support 32 K stereo
Data transmission and storage		
Data storage		Video and Image
Recording		Recording set up to record by motion trigger,alarm trigger, manual, or schedule
Alarm Output		FTP,E-mail, Explorer, Software
Network protocol		TCP/IP,UDP,RTP,RTSP,RTCP,HTTP,DNS,DDNS,DHCP,FTP,NTP,PPPOE,SMTP,UPNP
ONVIF protocol		Support
Remote View	Computer	Internet Explorer v6 or Later; Mozilla Firefox v1.5 or Later, or other Java-enabled Browsers, Chome, Opera, Sarafi, max 10user
	Mobile Phone	Windows Mobile, Symbian, iPhone
Functions		
Snap		Support JPEG snap, the fill light synchronization, support: video trigger, external I/O trigger, network trigger, ,RS-485 trigger, Support a red light of the illegal had a car 3 even pat function
Traffic light status		Support
Video Trigger		Support
General Parameters		
Operating Temperature		-10°C - +55°C
Operating Humidity		0% - 90%
Power		DC12V/POE(IEEE 802.3af)(Optional)
Power Consumption		5W(MAX)
Dimension		148(L) * 78(W) *56(H)mm(Lens not included)
Weight		0.56Kg
Model	Marks	Option
IPC400N-MPK	Basic model, with 15degree or 30 degree LED module flash lamp	
IPC400N-MPK-POE	Built-in POE, with 15degree or 30 degree LED module flash lamp	

>>| Dimension & Drawing



- ①RJ45
- ②RESET
- ③MICRO SD CARD SLOT
- ④ALARM OUT
- ⑤GND
- ⑥RS232/RS485
- ⑦ALARM IN
- ⑧VIDEO OUT
- ⑨DC12V INPUT

>>| Optional Accessories

Bracket



Shield



Megapixels 10-60 mm Zoom lens



Shield Bracket



Notes:

We packed the units with free accessories; default packed depends on stock and the device's feature requirement. If you need specify the type, please inform us when you order.