

IPC402C-MPC-TD CMOS HD Indoor Dome IP Camera Specifications



>>| Product Introduction

IPC402C-MPC-TD series is based on IP network, achieve network digital surveillance, and transmit clear, smooth video surveillance images.

IPC402C-MPC-TD Series uses 1/3" CMOS and advanced H.264 codec, Maximum resolution: 1920*1080, excellent low light performance. Use 3D smart noise reduction function, In the low-light environment, reduce noise, ensure the edge of the moving object clear. Supports dual streaming, Transmit high-quality H.264 video in the low-band width network environment smooth , also supports MJPEG compression; Built-in 2.8-12mm lens; support day/night auto converting; Support audio, alarm, Infrared night vision, dual IR-Cut filter, provide third-party systems integration interface.

The series uses compact, lightweight ABS housing, metal base, lightweight appearance, excellent thermal performance, Suitable for hotels, supermarkets, offices, corridors, stairways and other indoor surveillance sites. Can be built-in infrared LED, low light or at night black zero illumination conditions can be clearly imaging. It is a good choice that upgrade from analog surveillance to network digital surveillance
With video surveillance system software platform, can realize different network environments of large-scale network surveillance.

>>| Naming rules

IPC402C-MPC-TD - X - X

Network Type

W: Wireless WiFi network

POE: POE power supply

IR: with IR LEDs

ICR: with IR-CUT filter

>>| Key Features

- ◆ Maximum pixel:2.0M, Max resolution:1920×1080, output Real-time Full HD 1080P image
- ◆ Excellent low light performance

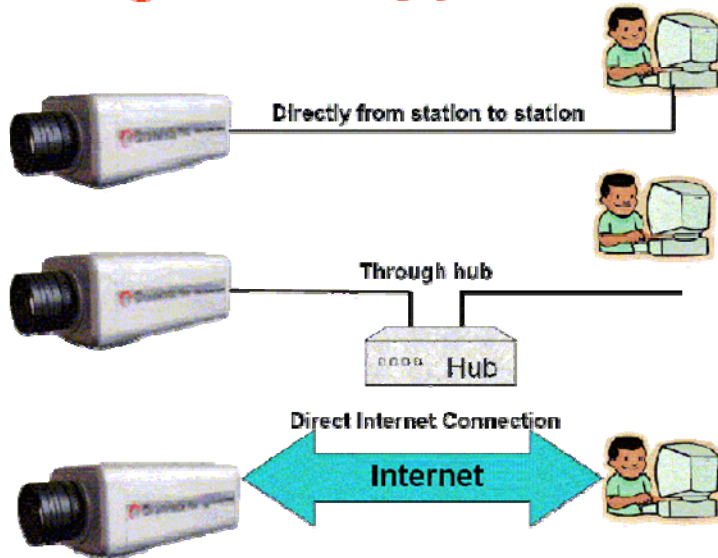
- ◆ 3D smart noise reduction function
- ◆ 1/3" Progressive Scan CMOS, Capture motion images without jagged
- ◆ IR model support auto Color/BW mode converting(dual IR-Cut filter)
- ◆ Built-in 2.8-12mm zoom lens
- ◆ Two-axis adjustable, easy to install construction
- ◆ Local CVBS video output , easy installation adjustment
- ◆ 15IR LEDs, IR distance 10m ("-IR" model supports)
- ◆ H.264/MJEG is optional, dual streaming, low bandwidth, and high quality.
- ◆ Support two-way talking
- ◆ Support Micro SDHC card storage;SD2.0 standard, maximum storage 32G
- ◆ Multiple network protocol support, adapt to the LAN / WIFI Mobile
- ◆ Support motion detection, network fault detection, alarm recording, image snapping
- ◆ Support 4 areas privacy mask
- ◆ Built-in Web Server,Support IE video browsing, Parameter configuration, upgrade, user rights management
- ◆ Small shell, space saving
- ◆ User-friendly design, installation convenience
- ◆ Power supply DC12V/1A
- ◆ Support POE power supply
- ◆ Support ONVIF protocol

>>| Applications Scenarios

Suitable for hotels, supermarkets, offices, corridors, stairways and other indoor surveillance sites.

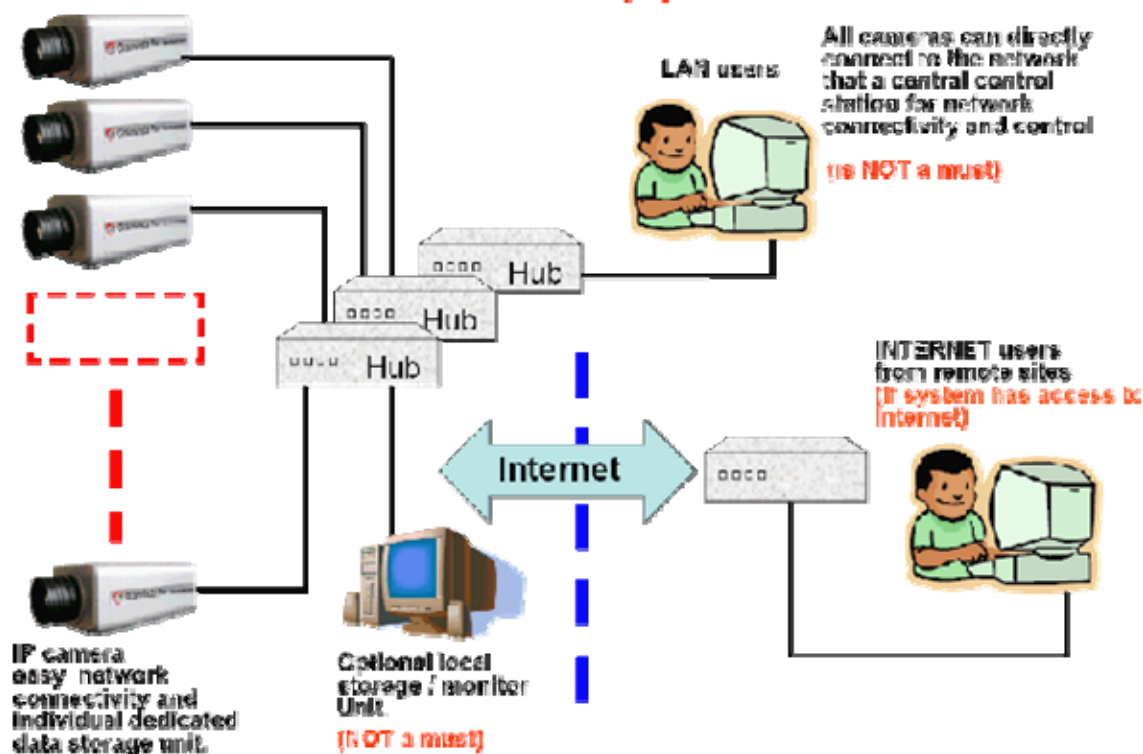
>>| Typical Application Diagram

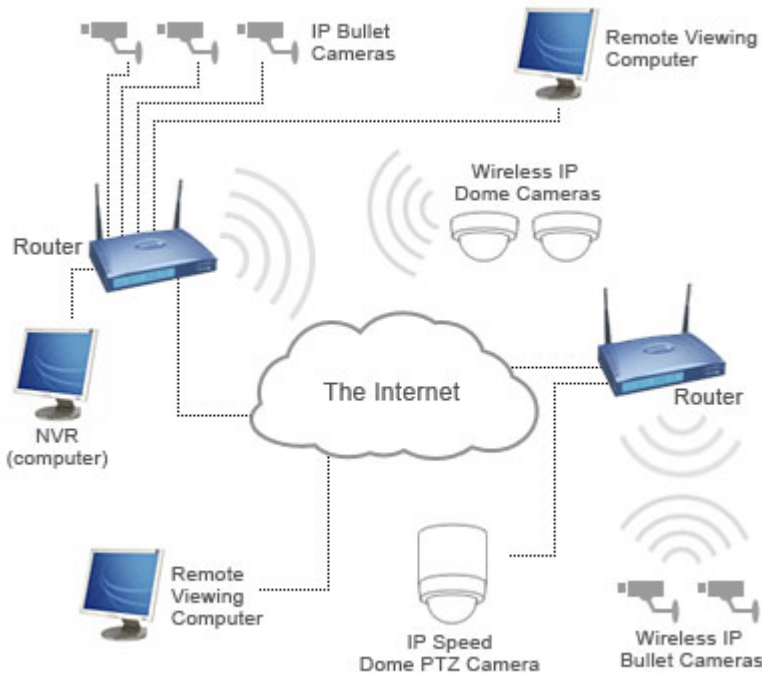
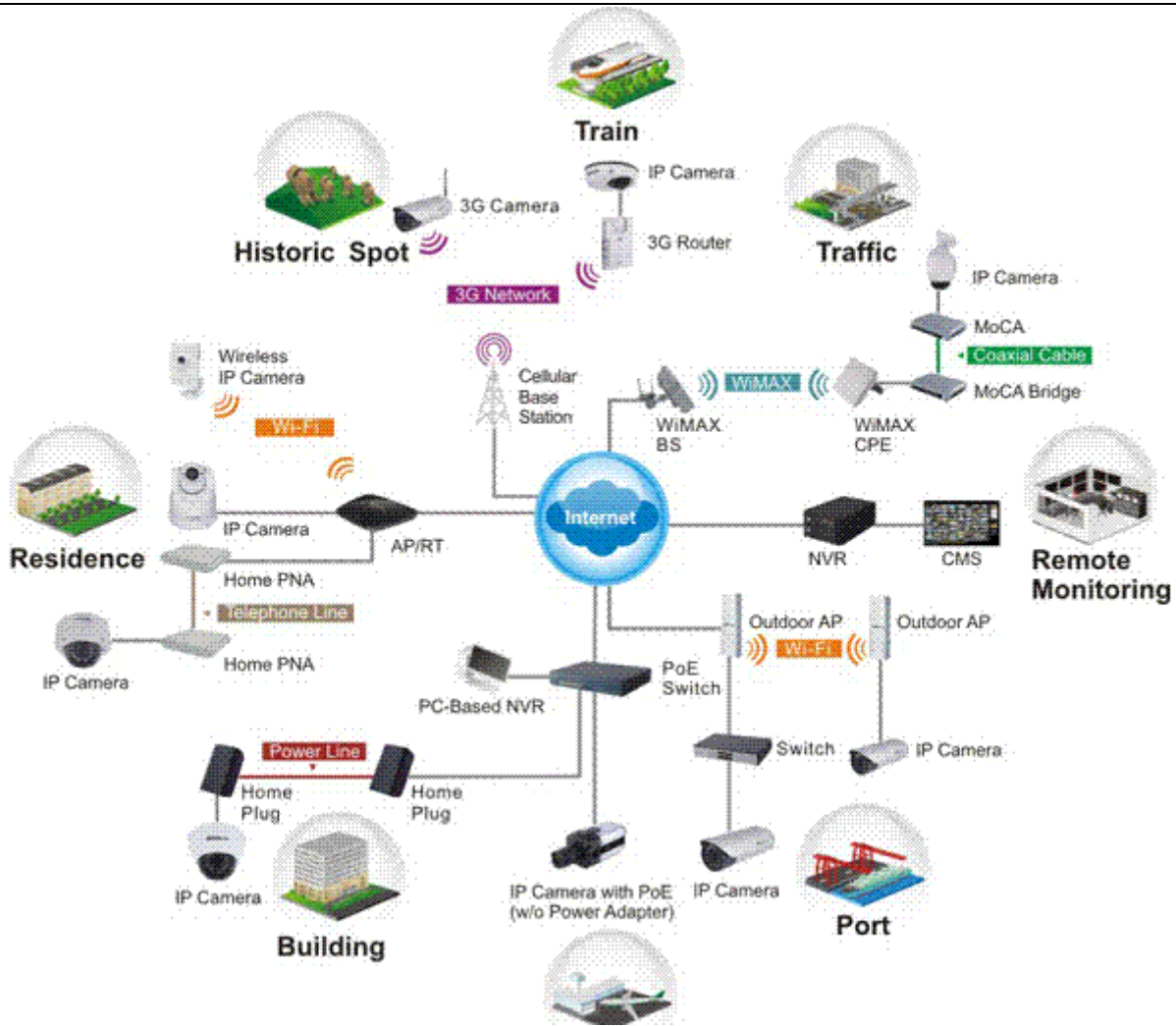
Single unit applications



- ✓ After it is setup and activated, the camera stores data on built-in SD card first-in-first-out basis. No maintenance is required.
- ✓ Ideal for single camera application. No central processing or data recording unit is required.
- ✓ Your most powerful and cost-effective choice for single camera application.

Multi-camera applications







>>| Specification

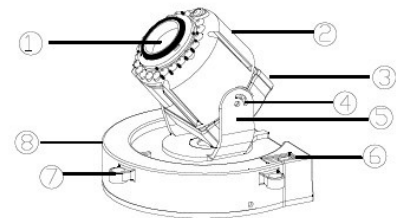
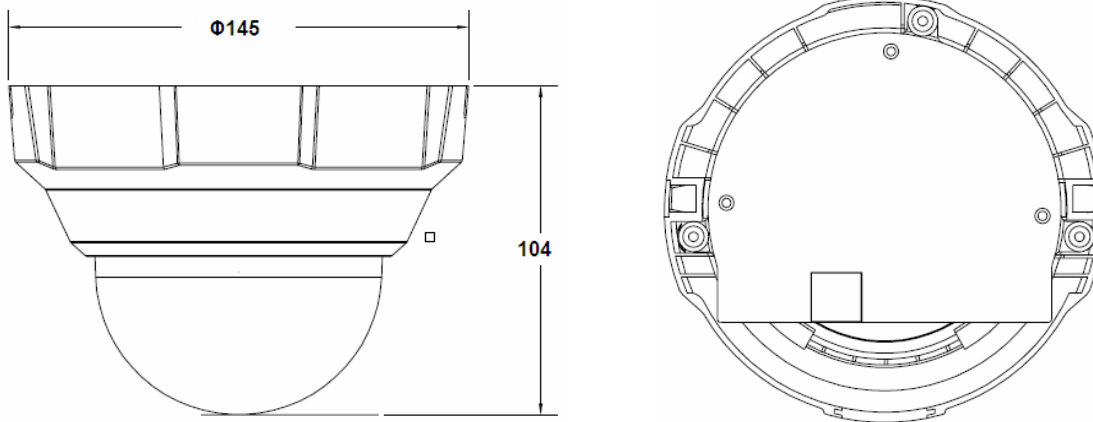
Model		IPC402C-MPC-TD/(-W)/(-POE)/(-IR) /(-ICR)
Hardware		
Network chip	Lan	Realtek 10/100M BASE-TX Self-adapting
Sensor		1/3" Progressive Scan CMOS
Effective Pixels		1920(H)×1080(V)
Min. Illumination		Color Mode:0.1Lux@F1.2 B/W Mode:0.001Lux@F1.2
S/N		≥50db(AGC OFF)
Day/night		Auto, dual IR-Cut filter
IR Parameters(-IR)		15 IR LEDs, IR distance 10m
Auto Electronic Shutter		1/25—1/100000sec, Slow shutter: 1/2, 1/4, 1/8, 1/12sec
Interfaces		
Optical lens	Interfaces	Φ14
	Lens	Manual zoom
	Focal Length	2.8-12mm
Audio Talkback		1 channel MIC input, External access, 3.5 mm audio interface
Audio Output		1 channel linear output, 3.5 mm audio interface
CVBS video output		1 channel ,BNC connector
Storage Interface		Micro SDHC card supports video storage and image snapping; SD2.0 standard, maximum storage 32G(Optional)
Network Interface	Lan	10/100M BASE-TX,RJ-45 connector
I/O		1-channel input, Normally Open/Normally Close modes adjustable; 1-channel output, 120VAC 1A/24VDC 1A, 1 RS232 interface
Audio video encoding		

Video Compression		H.264 Main Profile; MJPEG/JPEG Baseline
Resolution	Master Streaming	1920*1080,1-25(30)fps/sec 1280*960,1-25(30)fps/sec 1280*720,1-25(30)fps/sec
	Second Streaming	640*480,1-25fps/sec 320*240,1-25fps/sec 160*112,1-25fps/sec
Video Bitrate		32Kbps~16Mbps,Supports CBR/VBR
Title OSD		Supports channel name, date, and video stream information overlay;OSD location is adjustable
Audio Compression		G.711, G.726,support 32 K stereo
Data transmission and storage		
Data storage		Video and Image
Recording		Recording set up to record by motion trigger, alarm trigger, manual, or schedule
Alarm Output		FTP,E-mail, Explorer, Software
Network protocol		TCP/IP,UDP,RTP,RTSP,RTCP,HTTP,DNS,DDNS,DHCP,FTP,NTP,PPPOE,SMTP,UPNP
Wireless protocols(-W)		802.11b/g,Supports WEP,WPA,WPA2("-w" model supports)
ONVIF protocol		Support
Remote View	Computer	Internet Explorer v6 or Later; Mozilla Firefox v1.5 or Later, or other Java-enabled Browsers, Chrome, Opera, Safari, max 10user
	Mobile Phone	Windows Mobile, Symbian, iPhone
General Parameters		
Operating Temperature		-10℃ - +55℃
Operating Humidity		0% - 90%
Power		DC12V/POE(IEEE 802.3af)(Optional)
Power Consumption		9W(MAX)
Dimension		Φ145*104(H)mm
Weight		0.6KG
Models		Marks
IPC402C-MPC-TD		
IPC402C-MPC-TD-POE		with POE
IPC402C-MPC-W		with WiFi
IPC402C-MPC-TD-ICR		with ICR
IPC402C-MPC-TD-IR		with IR
IPC402C-MPC-TD-POE-IR		with PEO, IR
IPC402C-MPC-TD-W-IR		With WiFi, IR
IPC402C-MPC-TD-POE-ICR		with PEO, ICR
IPC402C-MPC-TD-W-ICR		With WiFi, ICR

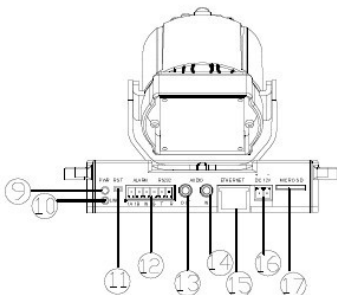
Notes:
 We packed the units with free accessories; default packed depends on stock and the device's feature

requirement. If you need specify the type, please inform us when you order.

>>| Dimension Drawing



- ① 2.8-12mm VARIFOCAL LENS
- ② IR LIGHT SETS
- ③ SENSOR MODULE, X,Y AXIS ADJUSTABLE
- ④ HOLDING SCREW FOR VERTICAL ADJUSTING
- ⑤ HORIZONTALLY ROTATING HOLDER
- ⑥ VIDEO OUTPUT
- ⑦ SCREW HOLE FOR INSTALLING
- ⑧ PCBA BASE
- ⑨ POWER INDICATOR
- ⑩ NETWORK INDICATOR
- ⑪ RESET
- ⑫ ALARM IN/OUT, RS232
- ⑬ AUDIO OUT
- ⑭ AUDIO IN
- ⑮ RJ45
- ⑯ DC12V INPUT
- ⑰ SD CARD SLOT



>>| Installation Guide

