

IPC403D-MPX Series Outdoor High Speed Dome IP Camera Specifications

>>| Product Appearance

A. IPC403D-MPS, IPC403D-MPC-TH, IPC403D-MPC-TS Series:



B. IPC403D-MPC Series



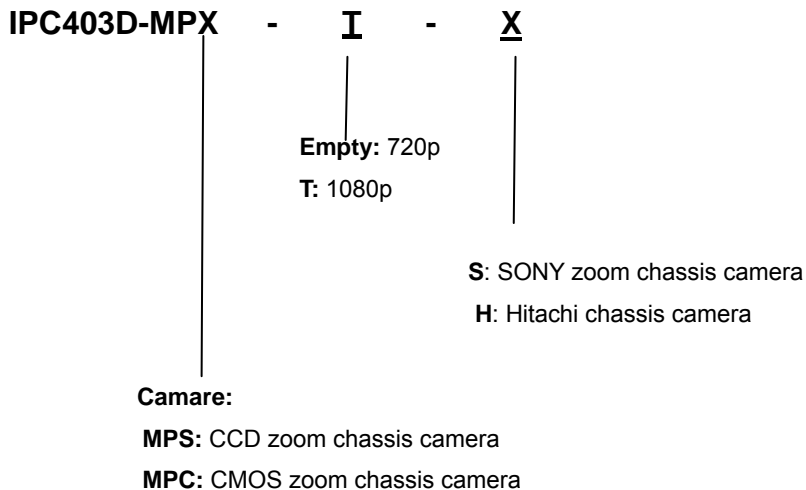
>>| Product Introduction

This specification applies to IPC403D-MPS, IPC403D -MPC, IPC403D-MPC-TH, IPC403D-MPC-TS.

IPC403D series is based on IP network achieves network digital surveillance; transmit clear, smooth video surveillance images.

IPC403D series built-in HD zoom integration camera, advanced H.264 codec, supports dual streaming, Transmit high-quality H.264 video in the low-bandwidth network environment smooth, also supports MJPEG compression; high performance precision Integration camera achieve zoom, with built-in full-speed PTZ, It is suitable for large-scale, multi-angle surveillance and Continuous tracing target; Support Color/BW mode converting, particularly suitable for outdoor illumination of low environmental; supports audio, alarm, IR-CUT function, TF card storage, providing third-party systems integration interface.

>>| Naming rules



>>| Key Features

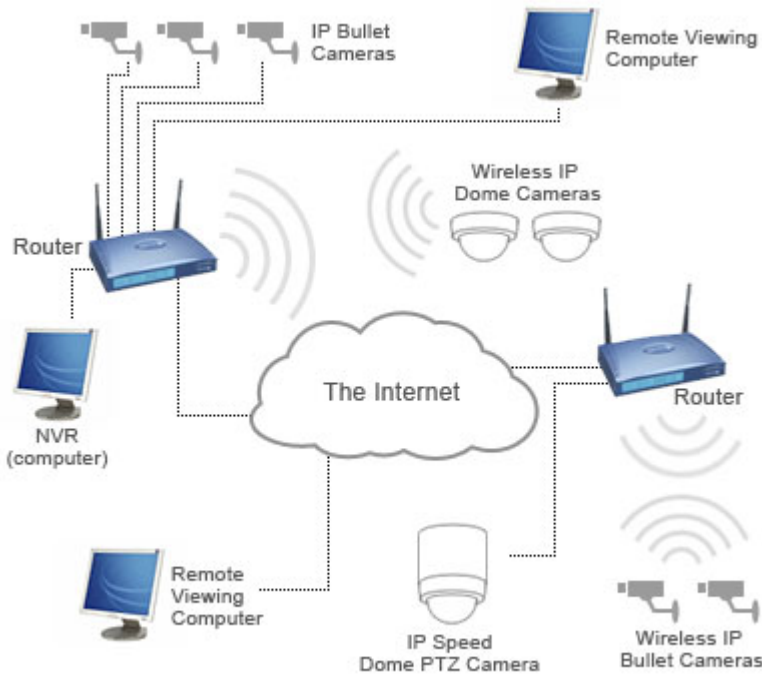
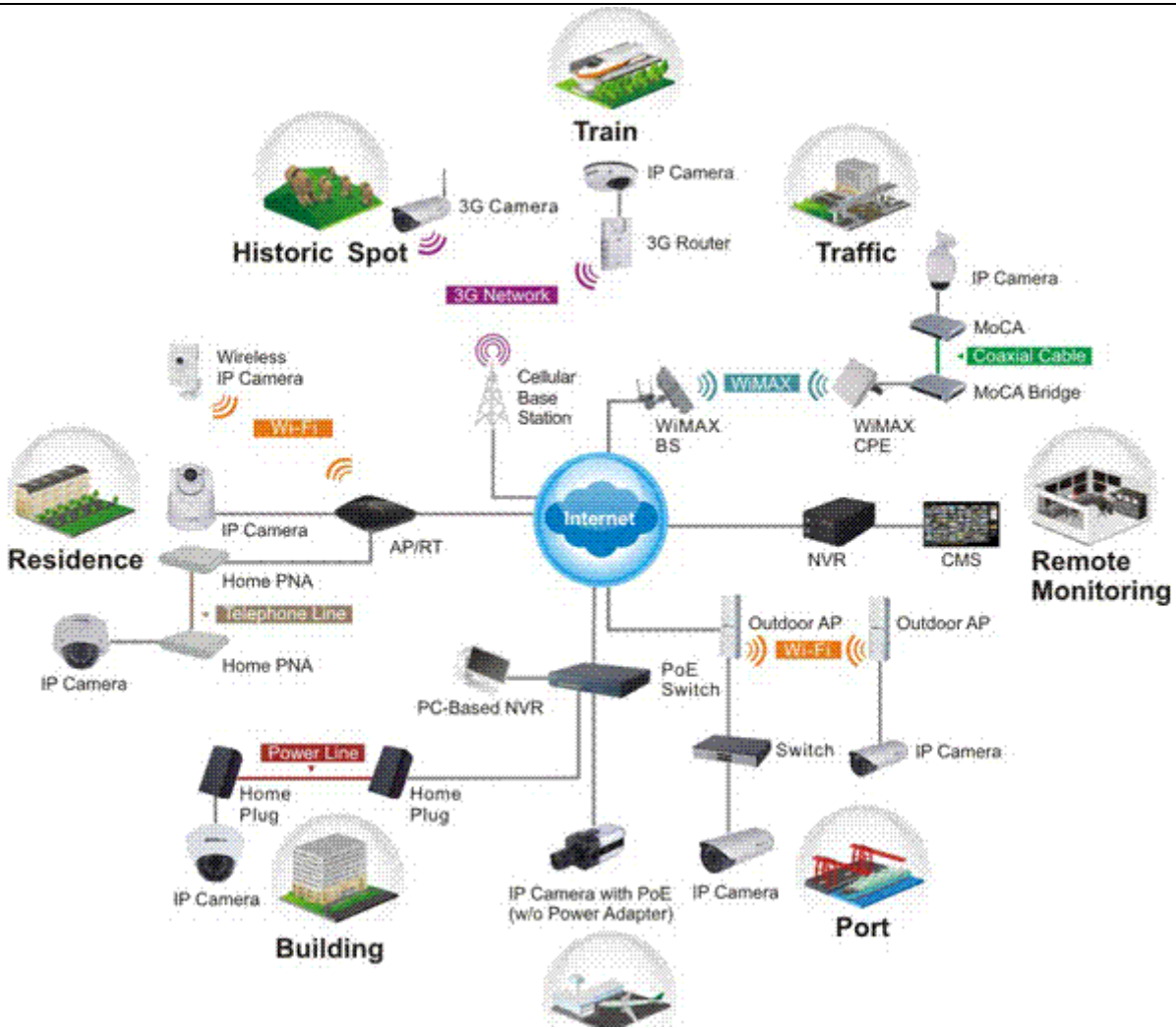
- ◆ Built-in HD zoom chassis camera
- ◆ H.264/MJEG is optional, dual streaming, high compression ratio, and high quality.
- ◆ Support AWB, AGC, BLC, brightness, chroma, saturation, sharpness adjustment
- ◆ Support OSD menu
- ◆ Manual control of speed and lens focal length is proportional, ensure smooth and accurate search target
- ◆ Horizontal rotation range: 360°, Vertical rotation range :180°
- ◆ Preset positions:256;Precision≤0.01°
- ◆ Proportional Pan
- ◆ Auto Scan, Horizontal /Vertical rotation range angle can be set, scanning speed adjustable
- ◆ Patrol:2 groups, each patrol up to 8 presets
- ◆ Timed task:5 groups; Preset / Pattern / Patrol / Rotate/ Auto Scan Resume Function
- ◆ With memory function in case of power-down

- ◆ Title, date and time, stream information, azimuth angle, zoom display Support two-way talking
- ◆ Support Micro SDHC storage; SD2.0 standard
- ◆ Support TCP/IP,UDP,RTSP protocols
- ◆ Support motion detection, network fault detection and alarm video, image snapping
- ◆ Built-in Web server enables the use of a standard Web browser for viewing and management.
- ◆ Support ONVIF protocol
- ◆ Support 1 channel BNC video output

>>| Applications Scenarios

Applicable to wide range surveillance area, such as forest, scenic, Highway, Railway, Air port, Port, Sentry, Plaza, Square, Park, Street, Railway station, stadiums, residential district, etc.

>>| Typical Application Diagram





>>| Specification

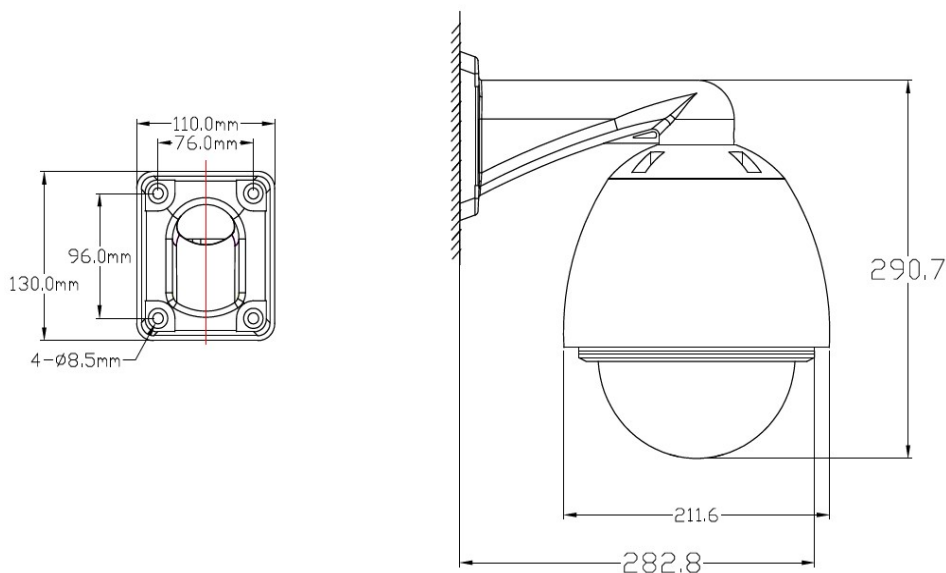
Model		IPC403D-MPS	IPC403D-MPC	IPC403D-MPC-TH	IPC403D-MPC-TS
Hardware					
Network chip	Lan	Realtek 10/100M BASE-TX Self-adapting			
Sensor		1/3" Progressive Scan CCD	1/3" CMOS	1/2.8" Progressive Scan CMOS	1/2.8" Progressive Scan CMOS
Effective Pixels		1280(H)×960(V)	1280(H)×720(V)	1920(H)×1080(V)	1920(H)×1080(V)
Lens		18 X optical , 12X digital zoom	18X optical , 10X digital zoom	20X optical	20X optical , 12X digital zoom
Focal Length		f=4.7mm(W) ~ 84.6mm(T)	f=4.7mm((W) ~ 84.6mm((T)	f=4.7mm(W) ~ 94mm(T)	f=4.7mm(W) ~ 94mm(T)
Iris		F1.6 ~F2.8	F1.6 ~F2.8	F1.6 ~F3.5	F1.6 ~F3.5
Horizontal Angle of View		55.2°(W)~3.2°(T)	55.2°(W)~3.2°(T)	55.2°(W)~2.9°(T)	55.2°(W)~2.9°(T)
Min.Illumination		Color:0.1Lux@F1.6, B/W:0.005Lux@F1.6,WDR	Color:0.1Lux@F1.6, B/W:2Lux@F1.6	Color:0.1Lux@F1.6, B/W:0.01Lux@F1.6, WDR	Color:0.5Lux@F1.6, WDR
Day/night		Auto (dual IR-Cut filter).			
S/N		≥50db(AGC OFF)			
Parameters adjustment		AWB, AGC, BLC			
Interfaces					
Audio Talkback		1 channel MIC input, 3.5 mm connector			
Audio Output		1 channel output, 3.5 mm connector			
Video output		1 channel BNC output,			
Network Interface	Lan	10/100M BASE-TX,RJ-45 connector			

I/O		1-channel input, Normally Open/Normally Close modes adjustable; 1-channel output, 120VAC 1A/24VDC 1A			
Audio video encoding					
Video Compression		H.264 Main Profile; MJPEG/JPEG Baseline			
Resolution	Master Streaming	1280*960, 1-16.7(20)fps/sec; 1280*720, 1-25(30)fps/sec	1280*720, 1-25(30)fps/sec	1920*1080, 1-25(30)fps/sec ; 1280*720, 1-25(30)fps/sec	1920*1080, 1-25(30)fps/sec; 1280*720, 1-25(30)fps/sec
	Second Streaming	640*480,1-25fps/sec 320*240,1-25fps/sec 160*112,1-25fps/sec			
Video Bitrate		32Kbps~16Mbps,Supports CBR/VBR			
Title OSD		Supports channel name, date, and video stream information overlay;OSD location is adjustable			
Audio Compression		G.711, G.726,support 32 K stereo			
Data transmission and storage					
Data storage		Video and Image			
Recording		Manual			
Alarm Output		E-mail, Explorer, Software			
Network protocol		TCP/IP,UDP,RTP,RTSP,RTCP,HTTP,DNS,DDNS,DHCP,FTP,NTP,PPPOE,SMTP,UPNP			
ONVIF protocol		Support			
Remote View	Computer	Internet Explorer v6 or Later; Mozilla Firefox v1.5 or Later, or other Java-enabled Browsers, Chome, Opera, Sarafi, max 16user			
	Mobile Phone	Support Windows Mobile, Symbian, iPhone, Android platform			
General Parameters					
ODS Menu		Support			
Protection grade		IP66			
Mechanical properties	Horizontal range	360°Continuous Rotation			
	Horizontal speed	0°~300°/s			
	Vertical range	0°~90°(Auto flip)			
	Vertical speed	0°~120°/s			
	Preset speed	400°/s			
	Preset precision	±0.10°			

	Proportional Zoom	Support
	Preset positions	256
	Patrol	2 patrols, up to 8 presets per patrol
	Pattern	2 patterns
	Power-off Memory	Support
	Park Action	Preset / Pattern / Patrol / Pan & Tilt scan /Auto
	PTZ Display	Support
	Timed task	5-channel periodic launches :Preset / Pattern / Patrol / Pan & Tilt scan /Auto scan
Material	All Aluminum Crust	
Operating Temperature	-30°C-+60°C	
Operating Humidity	0% - 90%	
Power	24VAC 2A	
Power Consumption	35W	
Dimension	Φ211.6 *240.7mm	
Weight	3.3KG	
Model	Marks	
IPC403D-MPC	720p CMOS, 18x optical, 10x digital zoom	
IPC403D-MPS	720p CCD, 18x optical	
IPC403D-MPC-TH	1080p CMOS, 20x optical	
IPC403D-MPC-TS	1080p CMOS, 20x optical, 12x digital zoom	

>>| Dimension Drawing

A. IPC403D-MPS, IPC403D-MPC-TH, IPC403D-MPC-TS Series



B. IPC403D-MPC Series

