

## IPC403S Series Outdoor Mini High Speed Dome IP Camera Specifications



### >>| Product Introduction

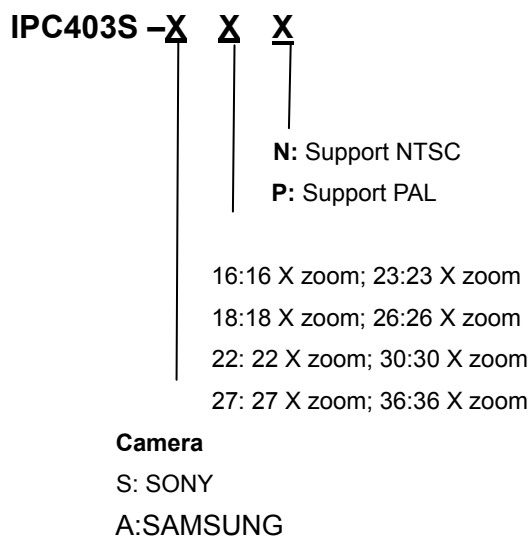
IPC403S series based on IP network, achieve network digital surveillance, and transmit clear, smooth video surveillance images.

IPC403S series built-in LG, SONY, Hitachi, CNB integration camera, advanced H.264 codec. Supports dual streaming, Transmit high-quality H.264 video in the low-bandwidth network environment smooth , also supports MJPEG compression; high performance precision Integration camera achieve zoom, with built-in full-speed PTZ, Suitable for large-scale, multi-angle surveillance and Continuous tracing target; Support audio, alarm, provide third-party systems integration interface.

The series use high-strength aluminum alloy shield, integrated dome design; Water and Dust Resistance: IP66; Built-in temperature control device (fan and Optional heater), Suitable for bitter cold and scorching heat, and other harsh environments.

With video surveillance system software platform, can realize different network environments of large-scale network surveillance.

### >>| Naming rules



### >>| Key Features

- Advanced SONY, SAMSUNG zoom chassis cameras for selection, Integrate Multiple camera protocol.
- Resolution:  
Support 704\*576(25fps) definition ("-s" model supports).  
Support 704\*480(30fps) definition ("-sn" model supports).
- Support Color/BW mode converting (partial camera support).

E-Lins Technology Co., Limited

Add: 1007A, MinTai Bld., Minkang Road, Minzhi Street, Bao'an District, ShenZhen, 518000, China

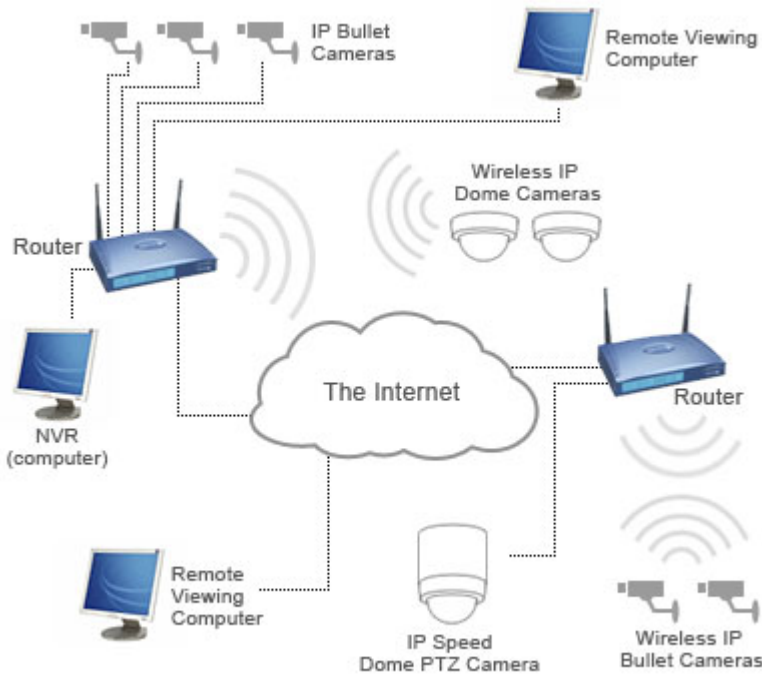
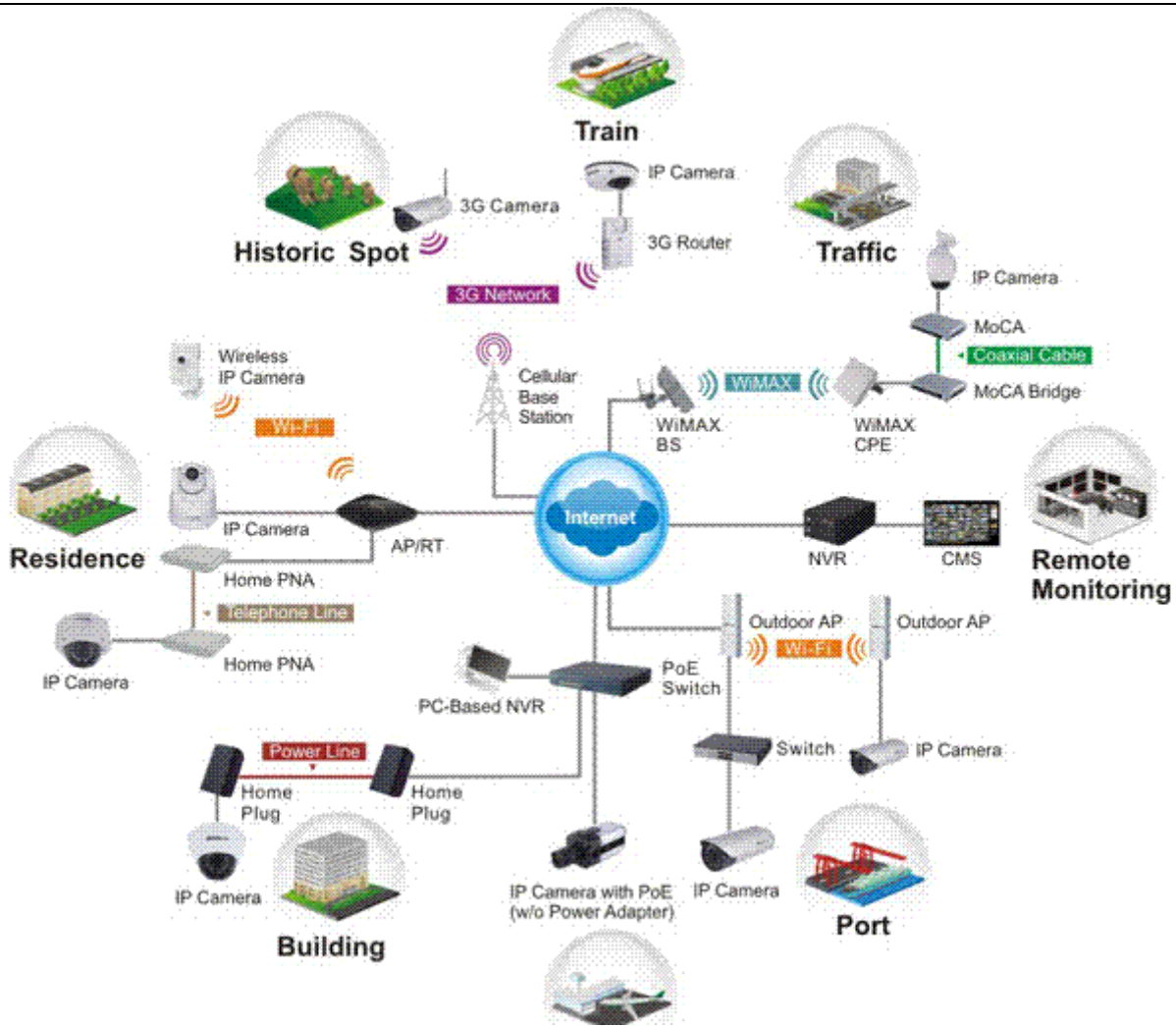
Tel: +86-755-33231620 E-mail: sales@szelins.com www.szelins.com

- H.264/MJPEG is optional, dual streaming, low bandwidth, and high quality.
- Build in 1 channel audio input and audio output ports, support real-time audio capture and two-way talking.
- Support Auto Focus, Manual priority; support Auto Iris, Manual priority.
- Built-in menu function. Can opens completely when using.
- Pan/tilt controlling speed's self-restoring, pan/tilt speed and the depth of zoom lens declines proportionally.
- Horizontal 360°unlimited continuous rotation, Auto-flip to follow object.
- Provides 128 preset points, information power-off memory.
- Provide auto scanning and select scanning track function.
- One group of scanning tracks: Every group of scanning track can set Max. 8 preset positions.
- Supports channel name, date, video stream information; pan/tilt orientation, zoom of real-time display.
- Integrate multiple protocol, such as PELCO\_D, PELCO\_P.
- Support protocols: RTSP, RTP, HTTP, TCP/IP, UDP, SMTP, PPPoE, DDNS, DNS, SNTP, DHCP, FTP.
- Alarm recording: video lost, motion detection and sensor alarm.
- Built-in Web server enables the use of a standard Web browser for viewing and management.
- Water and Dust Resistance: IP66.
- Built-in surge and lightning strike protective equipment.
- Install Bracket: Wall/Ceiling mount bracket.

## >>| Applications Scenarios

Applicable to wide range surveillance area, such as forest, scenic, Highway, Railway, Air port, Port, Sentry, Plaza, Square, Park, Street, Railway station, stadiums, residential district, etc.

## >>| Typical Application Diagram





## >>| Specification

Series		IPC403S-S10	IPC403S-SA10
Type		IP Mini High Speed Dome Camera	
CPU		ARM9,32 bit RISC	
SoC Chip		HISILICON Hi3512	
Sensor		1/4" SONY EXview HAD CCD	1/4"interline Transfer CCD
Effective Pixels		PAL:752(H)×582(V) NTSC:768(H)×494(V)	
Resolution		COLOR: 480TVL B/W: 540TVL	
Lens		10 X optical12X digital zoom(120X)	10 X optical10X digital zoom(100X)
Focal Length		f=4.2mm(W) ~ 42mm(T)	f=3.8mm(W) ~ 38mm(T)
Iris		F1.8 ~F2.9	F1.6 ~F2.8
Horizontal Angle of View		46°(W)~4.6°(T)	51.2°(W)~5.58°(T)
Min. Illumination		Color Mode: 0.7Lux; B/W Mode: 0.01LUX	
S/N		≥50db(AGC OFF, Weight On)	
Auto Electronic Shutter		PAL:1/50—1/10000sec NTSC:1/60—1/10000sec	
Audio Talkback		1 channel MIC input, External access	
Audio Output		1 channel linear output	
Network Interface	LAN	10/100M BASE-TX,RJ-45 connector	
I/O		1-channel input, Normally Open/Normally Close modes adjustable; 1-channel output, 120VAC 1A/24VDC 1A	
Video Compression		H.264 Main Profile; MJPEG/JPEG Baseline	
Resolution	Dual Streaming	D1:704*576(PAL),1-25fps/sec; 704*480(NTSC),1-30fps/sec Half-D1:704*288(PAL),1-25fps/sec; 704*240(NTSC),1-30fps/sec CIF:352*288(PAL),1-25fps/sec; 352*240(NTSC),1-30fps/sec QCIF:176*144(PAL),1-25fps/sec; 176*120(NTSC),1-30fps/sec	

Video Bitrates	32Kbps~16Mbps, Supports CBR/VBR	
Title OSD	Supports channel name, date, and video stream information overlay; OSD location is adjustable	
Audio Compression	G.726, G.711	
Motion Detection	Supports	
Alarm Output	E-mail, Explorer, Software	
Network protocol	TCP/IP, UDP, RTP, RTSP, RTCP, HTTP, DNS, DDNS, DHCP, FTP, NTP, PPPOE, SMTP, UPNP	
Remote View	Computer	Internet Explorer v6 or Later; Mozilla Firefox v1.5 or Later, or other Java-enabled Browsers, Chrome, Opera, Safari, max 10user
	Mobile Phone	Windows Mobile, Symbian, iPhone
Water and Dust Resistance	IP66	
P/T/Z	Rotation speed: horizontal speed 0.1°-150°/S, vertical speed 0.1°-100°/S	
	Angel of Rotation: horizontal: 360°, vertical: 180°(Auto Flip)	
	Preset positions: 128 preset positions, speed: horizontal speed: 150°/S, vertical speed: 100°/S	
Operating Temperature	-10℃ - +55℃	
Operating Humidity	0% - 90%	
Power	DC12V	
Power Consumption	28W(MAX)	
Dimension	Φ140 *132(H)mm(Indoor type) Φ162 *182(H)mm(Outdoor type)	
Weight	2KG	
<b>Model</b>	<b>Marks</b>	
IPC403S-S10	Sony integration camera, zoom: Optical *10X, 12x digital zoom , color to Black/White	
IPC403S-A10	SAMSUNG integration camera, zoom: Optical *10X	

## >>| Optional Accessories

Wall-mounted Bracket

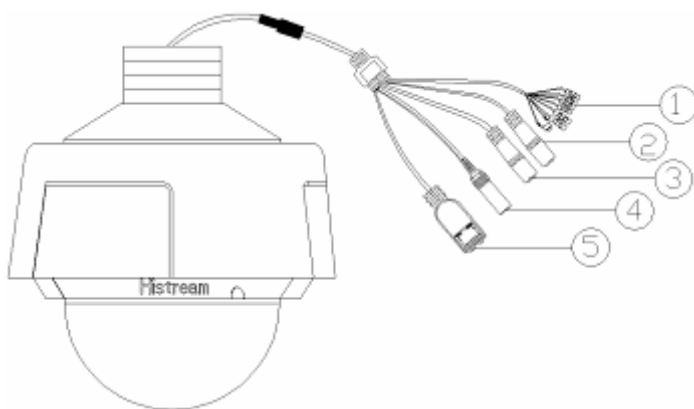
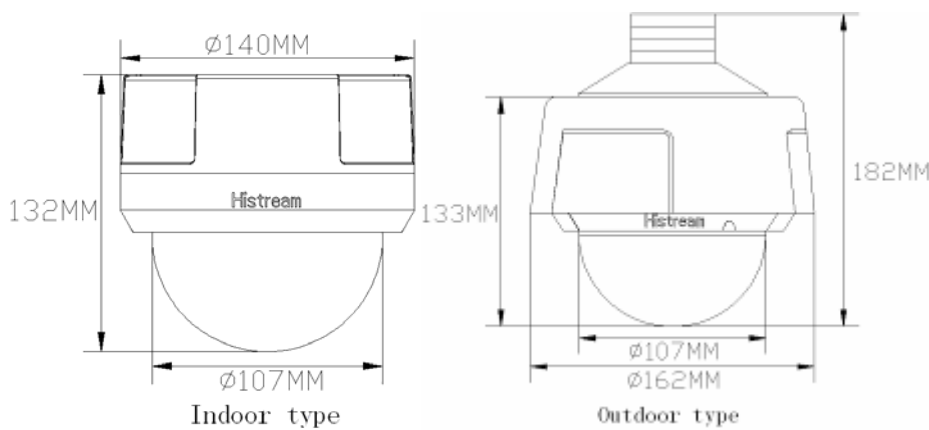


Ceiling mounting Bracket



Notes:  
We packed the units with free accessories; default packed depends on stock and the device's feature requirement. If you need specify the type, please inform us when you order.

>>| Dimension Drawing



- 1 I/O interface
- 2 Audio in interface, RCA connector
- 3 Audio out interface, RCA connector
- 4 DC12V Input
- 5 Ethernet interface, RJ45 network connector

I/O definition:

1	1A: ALARM Output	4	G: ALARM Input GND
2	1B: ALARM Output	5	T+: RS485 control output +(undefined)
3	IN: ALARM Input	6	T-: RS485 control output -(undefined)