

## IPC400N-MPC-TD Series 2M Pixels HD Box IP Camera Specifications



### >>| Product Introduction

IPC400N-MPC-TD series based on IP network achieve network digital surveillance; transmit clear, smooth video surveillance images.

IPC400N-MPC-TD series use Mega Pixels 1/3" Progressive Scan CMOS and advanced H.264 codec, Maximum digital images resolution: 1920\*1080, excellent low light performance. Use 3D smart noise reduction function, In the low-light environment, reduce noise, ensure the edge of the moving object clear. Supports dual streaming, Transmit high-quality H.264 video in the low-bandwidth network environment smooth, also supports MJPEG compression; Support DC drive auto iris lens; Support audio, alarm function, provide third-party systems integration interface.

The series are suitable for public security, banking, ports, schools, buildings, residential zone and other places, Have excellent image reproduction capability in the low illumination environment. It is a good choice for digital HD video network surveillance.

### >>| Naming rules

IPC400N-MPC-TD: 1080P low light IP Box Camera

IPC400N – MPC – TD -X – X

IR function

Empty: No induction infrared

ICR: Induction infrared

Network type

W: Wireless WIFI network

POE: POE Power supply

### >>| Key Features

- ◆ Maximum Pixels: 2.0M, Max resolution: 1920×1080, output Real-time Full HD 1080P image
- ◆ Excellent low light performance
- ◆ 3D smart noise reduction function
- ◆ 1/3" Progressive Scan CMOS, Capture motion images without jagged

E-Lins Technology Co., Limited

Add: 1007A, MinTai Bld., Minkang Road, Minzhi Street, Bao'an District, ShenZhen, 518000, China

Tel: +86-755-33231620 E-mail: sales@szelins.com www.szelins.com

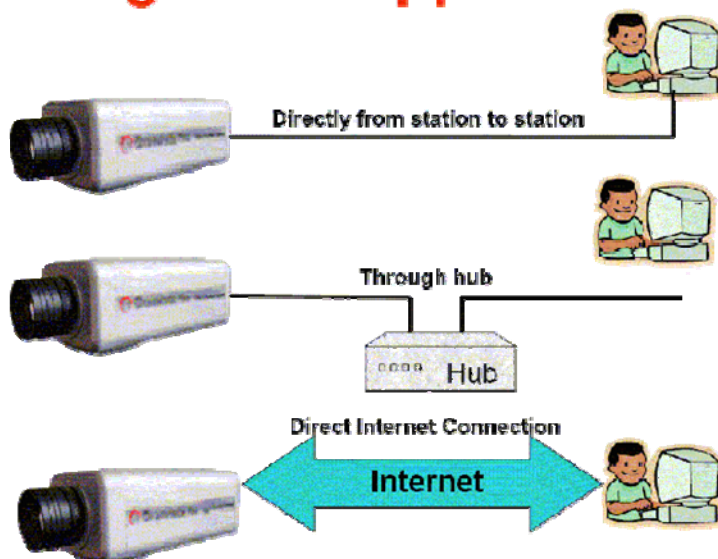
- ◆ H.264/MJEG is optional, dual streaming, high compression ratio, and high quality.
- ◆ Auto iris, auto electronic shutter
- ◆ High signal-to-noise ratio, Clear image
- ◆ Built-in MIC, two-way talking
- ◆ 1 channel CVBS video output
- ◆ Support Micro SDHC storage; SD2.0 standard, maximum storage 32G
- ◆ Power supply: DC12V/POE (Optional)
- ◆ Support 4 area privacy mask
- ◆ Support motion detection, network fault detection and alarm video, image snapping
- ◆ Built-in Web server enables the use of a standard Web browser for viewing and management.
- ◆ Support ONVIF protocol

## >>| Applications Scenarios

Suitable for Finance, telecommunications, government, schools, airports, factories, hotels, museums, transportation etc.

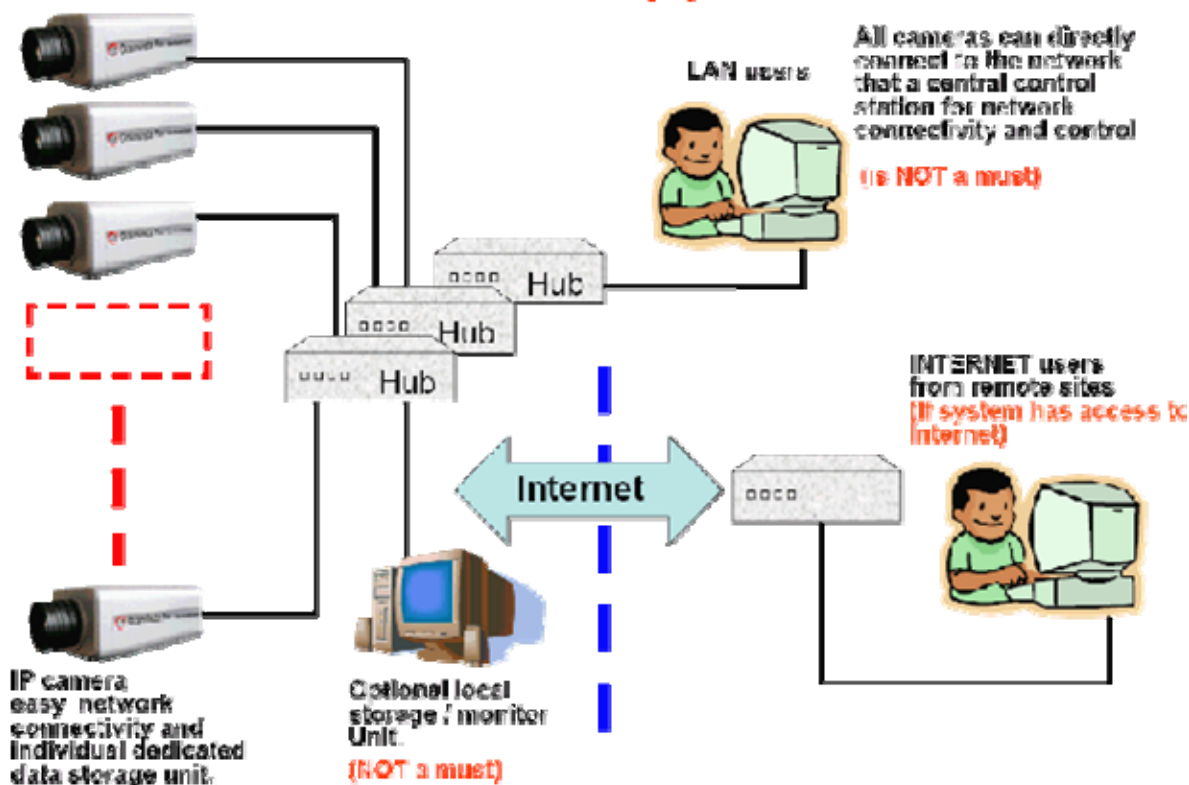
## >>| Typical Application Diagram

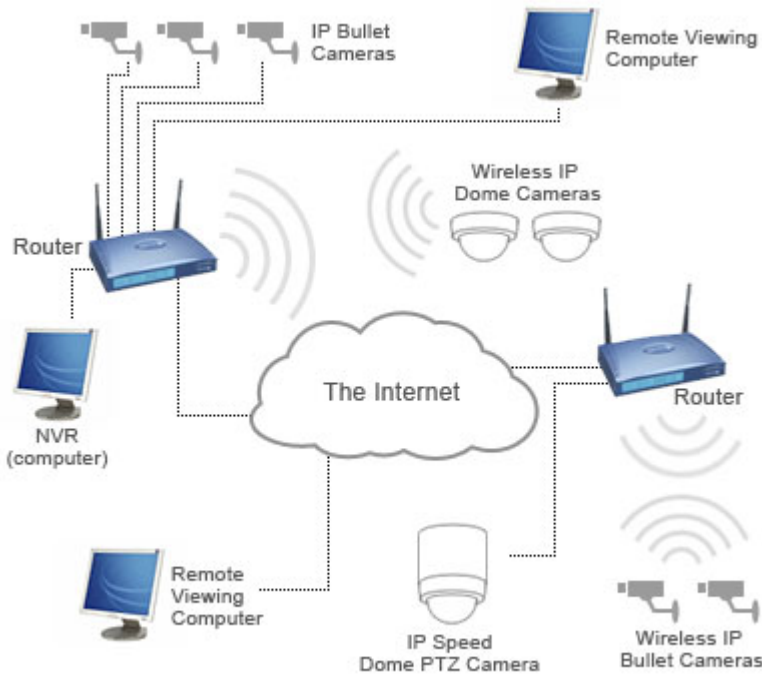
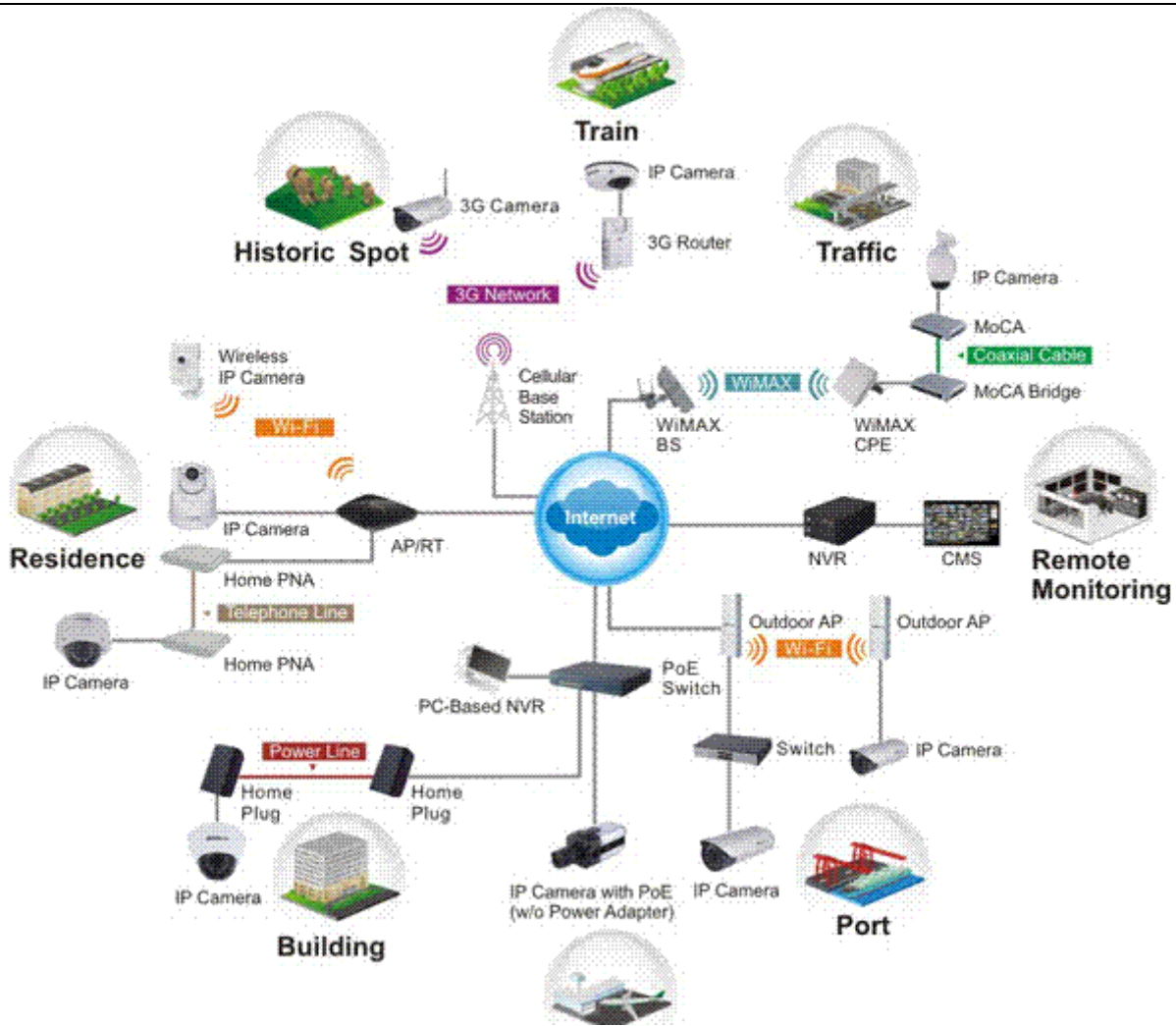
### Single unit applications



- ✓ After it is setup and activated, the camera stores data on built-in SD card first-in-first-out basis. No maintenance is required.
- ✓ Ideal for single camera application. No central processing or data recording unit is required.
- ✓ Your most powerful and cost-effective choice for single camera application.

### Multi-camera applications





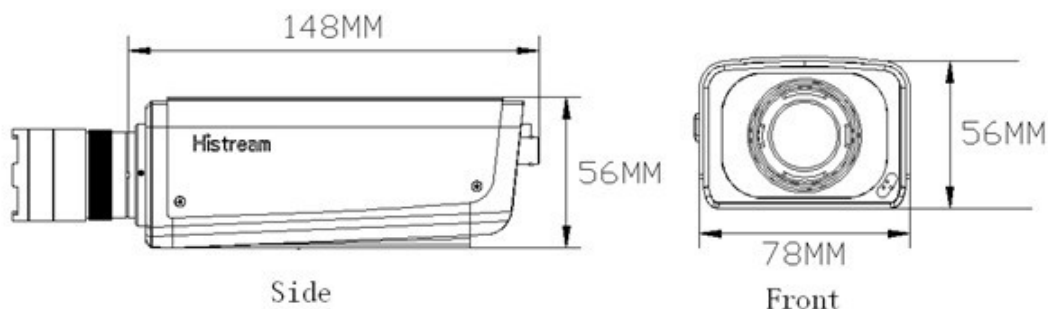


## >>| Specification

Model		IPC400N-MPC-TD/(-W)/(-POE)/(-ICR)
<b>Hardware</b>		
Network chip	Lan	Realtek 10/100M BASE-TX Self-adapting
Sensor		1/3" Progressive Scan CMOS
Effective Pixels		1920(H)×1080(V)
Min. Illumination		Color Mode:0.1Lux@F1.2; B/W Mode:0.005Lux@F1.2
S/N		≥50db(AGC OFF)
Day/night		Auto(-ICR: Auto ICR)
Auto Electronic Shutter		1/25—1/100000sec,Slow shutter:1/2,1/4,1/8,1/12
<b>Interfaces</b>		
Optical lens	Interfaces	CS/C
	Lens	Auto Iris(DC drive)
	Focal Length	Optional
Audio Talkback		1 channel MIC input, Built-in or external access
Audio Output		1 channel linear output
CVBS video output		1 channel ,BNC connector
Storage Interface		Micro SDHC card supports video storage and image snapping; SD2.0 standard, maximum storage 32G(Optional)
Network Interface	Lan	10/100M BASE-TX,RJ-45 connector
I/O		1-channel input, Normally Open/Normally Close modes adjustable; 1-channel output, 120VAC 1A/24VDC 1A,1 RS485 interface
<b>Audio video encoding</b>		
Video Compression		H.264 Main Profile; MJPEG/JPEG Baseline

Resolution	Master Streaming	1920*1080,1-25(or30)fps/sec 1280*960,1-25(or30)fps/sec 1280*720,1-25(or30)fps/sec
	Second Streaming	640*480,1-25fps/sec 320*240,1-25fps/sec 160*112,1-25fps/sec
Video Bitrates		32Kbps~16Mbps,Supports CBR/VBR
Title OSD		Supports channel name, date, and video stream information overlay; OSD location is adjustable
Audio Compression		G.711,G.726, support 32 K stereo
<b>Data transmission and storage</b>		
Data storage		Video and Image
Recording		Recording set up to record by motion trigger,alarm trigger, manual, or schedule
Alarm Output		FTP.E-mail, Explorer, Software
Network protocol		TCP/IP.UDP.RTP.RTSP.RTCP.HTTP.DNS.DDNS.DHCP.FTP.NTP.PPPOE.SMTP.UPNP
Wireless protocols(-W)		802.11b/g.Supports WEP,WPA,WPA2("-w" model supports)
ONVIF protocol		Support
Remote View	Computer	Internet Explorer v6 or Later; Mozilla Firefox v1.5 or Later, or other Java-enabled Browsers, Chrome, Opera, Safari, max 10user
	Mobile Phone	Windows Mobile, Symbian, iPhone
<b>General Parameters</b>		
Operating Temperature		-10°C - +55°C
Operating Humidity		0% - 90%
Power		DC12V/POE(IEEE 802.3af)(Optional)
Power Consumption		7W(MAX)
Dimension		148(L) * 78(W) *56(H)mm(Lens not included)
Weight		0.56KG
<b>Model</b>	<b>Marks</b>	<b>Option</b>
IPC400N-MPC-TD	2 Mega Pixels CCD, 1080p	
IPC400N-MPC-TD-ICR	2 Mega Pixels CCD, 1080p, with ICR	
IPC400N-MPC-TD-XXX-POE	2 Mega Pixels CCD, 1080p, with POE	

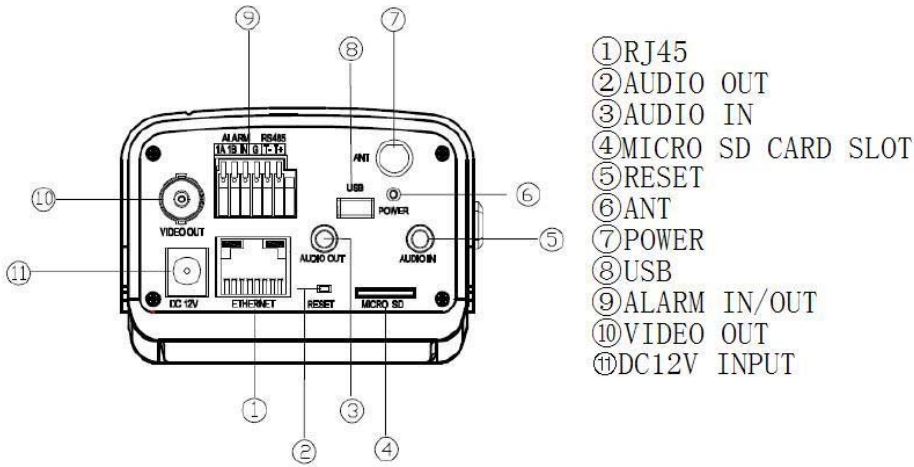
## >>| Dimension & Drawing



E-Lins Technology Co., Limited

Add: 1007A, MinTai Bld., Minkang Road, Minzhi Street, Bao'an District, ShenZhen, 518000, China

Tel: +86-755-33231620 E-mail: sales@szelins.com www.szelins.com



## >>| Optional Accessories

Bracket



Shield



Megapixels 3.8-13mm lens or Normal Lens



Shield Bracket CP-5015



### Notes:

We packed the units with free accessories; default packed depends on stock and the device's feature requirement. If you need specify the type, please inform us when you order.