

## IPC400N Series Box IP Camera Specifications



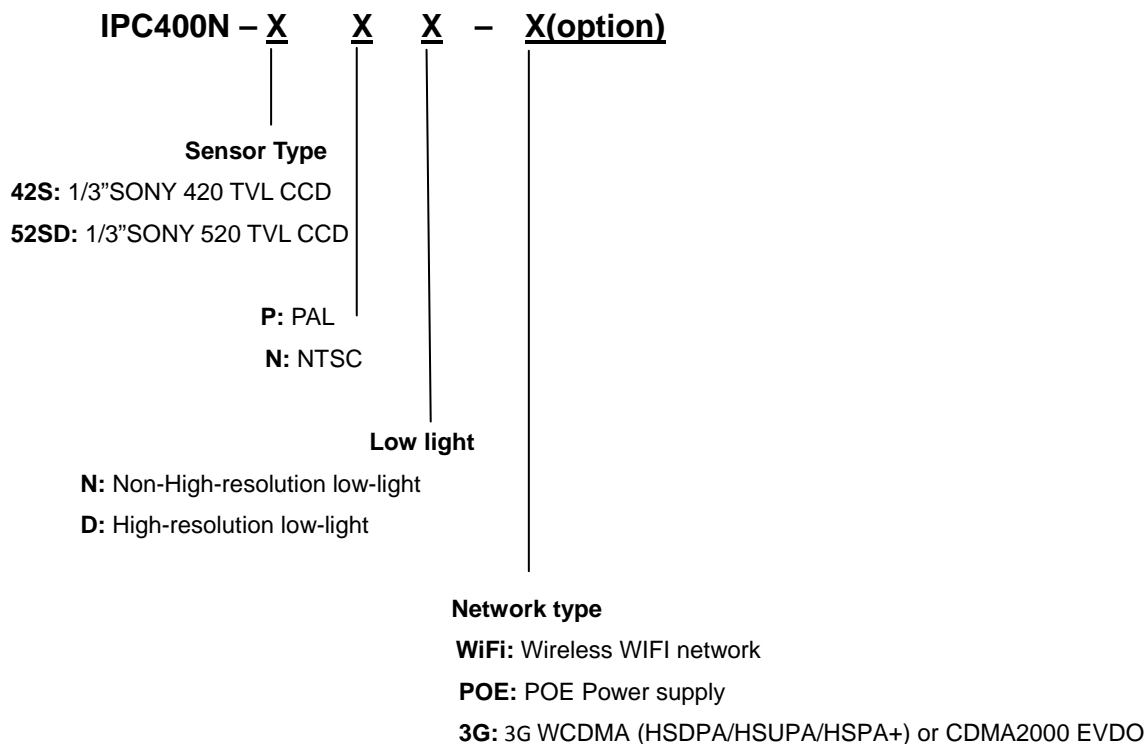
### >>| Product Introduction

IPC400N series IP camera is based on IP network to achieve network digital surveillance, transmit clear, smooth video surveillance images.

IPC400N Series use 1/3"SONY CCD ,advanced H.264 codec, supports dual streaming, transmit high-quality H.264 video in the low-bandwidth network environment smooth, also supports MJPEG compression; Support DC drive auto iris lens; Support audio, alarm function, provide third-party systems integration interface.

The series are suitable for public security, banking, ports, schools, buildings, residential zone and other places, It is a good choice for digital HD video network surveillance.

### >>| Naming rules



### >>| Key Features

1/3" Sony CCD

H.264/MJEG is optional, dual streaming, low bandwidth, and high quality.

Support two-way talking

Support SDHC card storage; SD2.0 standard, maximum storage 32G

Multiple network protocol support

Support motion detection, network fault detection and alarm video, image snapping

Support 4 areas privacy mask

Built-in Web server enables the use of a standard Web browser for viewing and management.

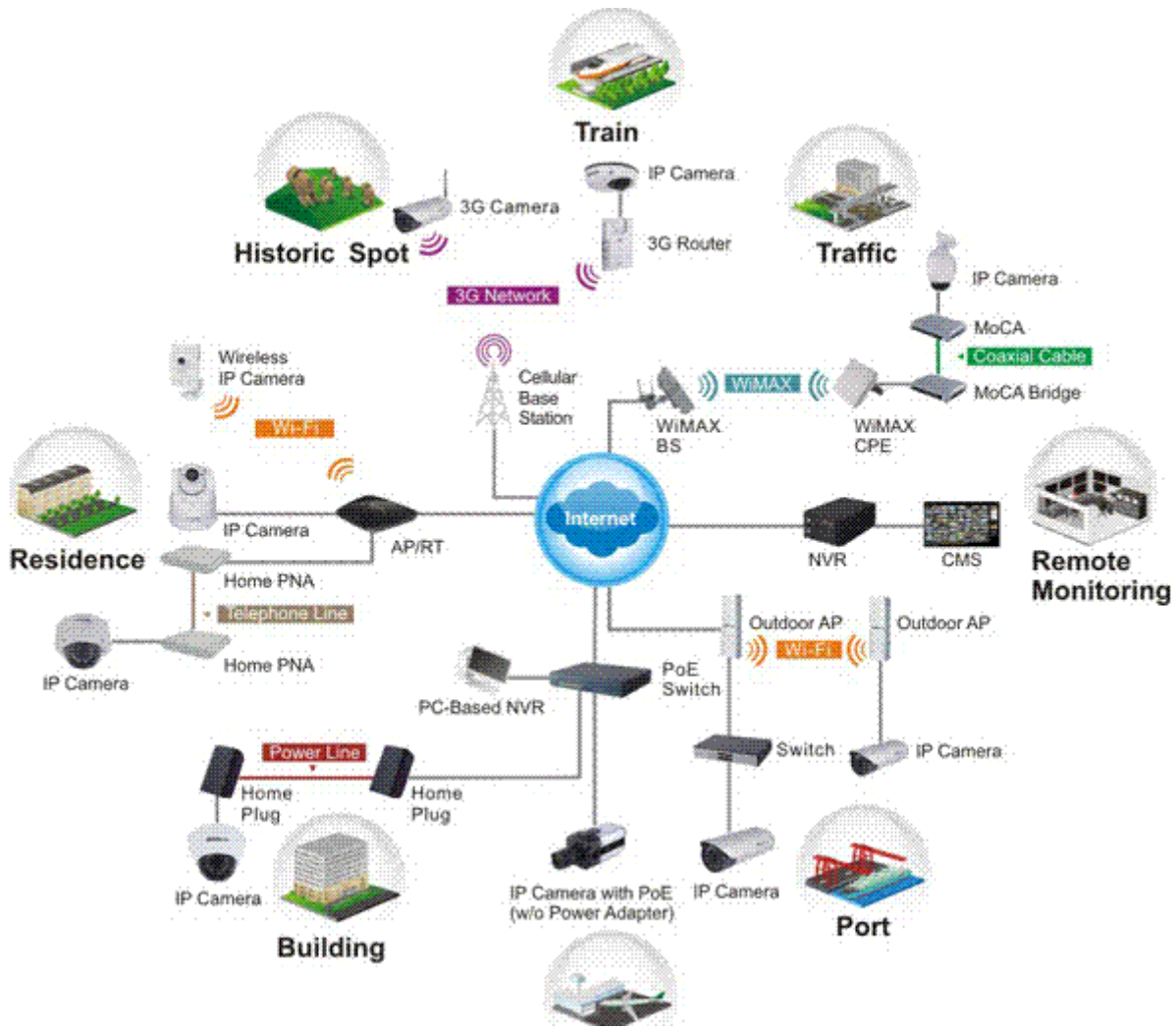
Power supply: DC12V/POE (Optional)

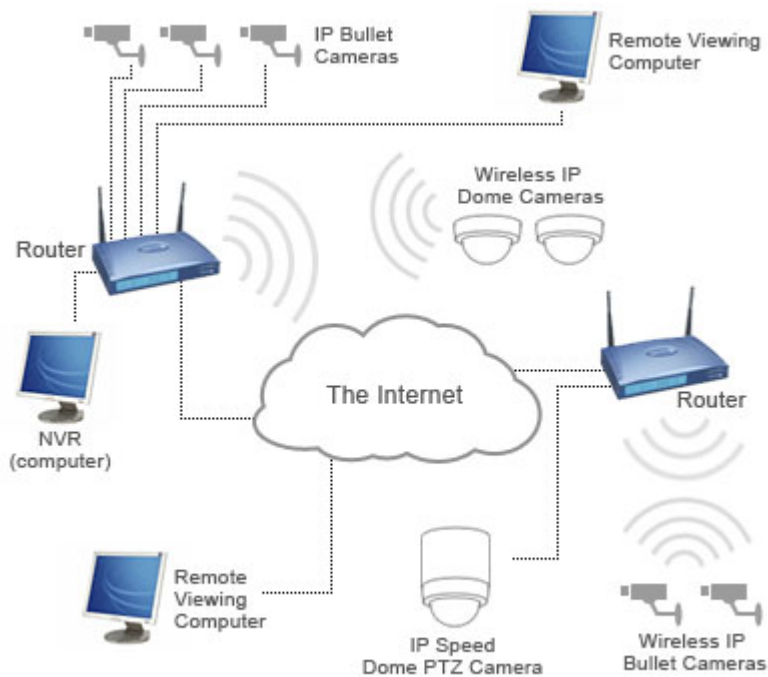
Support ONVIF protocol

## >>| Applications Scenarios

Apply to the hotel, the supermarket, and the office, corridor and stair indoor monitoring sites.

## >>| Typical Application Diagram





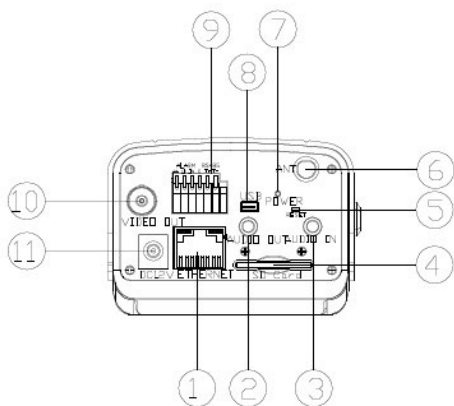
## >>| Specification

Model		IPC400N-42S(N)/(-W)/(-3G)/(-POE)	IPC400N-52S(N)D/(-W)/(-3G)/(-POE)
<b>Hardware</b>			
Network chip	Lan	Realtek 10/100M BASE-TX Self-adapting	
Sensor		1/3"SONY SUPER HAD CCD	
Effective Pixels		PAL:500(H)×582(V) ; N:510(H)×492(V)	PAL:752(H)×582(V); N:768(H)×494(V)
Min.Illumination		Color Mode: 0.1Lux@F1.2	Color Mode:0.1Lux@F1.2; B/W Mode:0.01Lux@F1.2
S/N		≥50db(AGC OFF)	

Day-night switch		Auto Electronic Shutter from color to B/W	
<b>Interfaces</b>			
CVBS video output		1 channel,420TVL,BNC connector	1 channel,520TVL,BNC connector
Optical lens	Interfaces	CS/C(Mount adapter)	
	Lens	Auto Aperture (DC drive)	
	Focal Length	Optional	
Audio Talkback		1 channel MIC input,3.5 mm connector	
Audio Output		1 channel output, 3.5 mm connector	
Storage Interface		SDHC card supports video storage and image snapping; SD2.0 standard, maximum storage 32G	
Network Interface	Lan	10/100M BASE-TX,RJ-45 connector	
I/O		1-channel input, Normally Open/Normally Close modes adjustable; 1-channel output, 120VAC 1A/24VDC 1A,1 RS485 interface	
<b>Audio video encoding</b>			
Video Compression		H.264 Main Profile; MJPEG/JPEG Baseline	
Resolution	Master/ Second Streaming	D1:704*576(PAL),1-25 fps/sec;704*480(N),1-30 fps/sec Half-D1:704*288(PAL),1-25 fps/sec;704*240(N),1-30 fps/sec CIF:352*288(PAL),1-25 ps/sec;352*240(N),1-30 fps/sec QCIF:176*144(PAL),1-25 fps/sec;176*120(N),1-30 fps/sec	
Video Bitrates		32Kbps~16Mbps, Supports CBR/VBR	
Title OSD		Supports channel name, date & time, and video stream information overlay;OSD location is adjustable	
Audio Compression		G.711, G.726, support 32 K stereo	
<b>Data transmission and storage</b>			
Data storage		video and image	
Recording		Recording set up to record by motion trigger, alarm trigger, manual, circle, or schedule	
Alarm Output		FTP,E-mail, Explorer, Management software	
Network protocol		TCP/IP,UDP,RTP,RTSP,RTCP,HTTP,DNS,DDNS,DHCP,FTP,NTP,PPPOE,SMTP,UPNP	
Wireless protocols(-W)		802.11b/g/n,Supports WEP,WPA,WPA2("-w" model supports)	
ONVIF protocol		Support	
Remote View	Computer	Internet Explorer v6 or Later; Mozilla Firefox v1.5 or Later, or other Java-enabled Browsers, Chome, Opera, Sarafi, max 10user	
	Mobile Phone	Windows Mobile, Symbian, iPhone	
<b>Others</b>			
Operating Temperature		-10℃ - +75℃	

Operating Humidity	0% - 95%	
Power	DC12V/POE(IEEE 802.3af)(Optional)	
Power Consumption	5W(MAX)	
Dimension	148(L) * 78(W) *56(H)mm	
Weight	0.56Kg	
<b>Model</b>	<b>Marks</b>	<b>Option</b>
IPC400N-C	1/4 " VGA CMOS sensor	
IPC400N-42SD	1/3"SONY 420 TVL CCD	
IPC400N-52SD	1/3"SONY 520 TVL CCD	
IPC400N-XXX-W	With WiFi	
IPC400N-XXX-3GW	With 3G HSPA module	
IPC400N-XXX-3GE	With 3G EVDO module	
IPC400N-XXX-XXX-POE	With POE	
IPC400N-XXX-ZIF	Support ZIF lens	
IPC400N-XXX-W-ZIF	With WiFi and support ZIF lens	
IPC400N-XXX-POE-ZIF	With POE and support ZIF lens	

## >>| Interface Picture



- ① RJ45
- ② AUDIO OUT
- ③ AUDIO IN
- ④ SDHC CARD SLOT
- ⑤ RESET
- ⑥ ANT
- ⑦ POWER
- ⑧ USB
- ⑨ ALARM IN/OUT
- ⑩ VIDEO OUT
- ⑪ DC12V

## >>| Optional Accessories

Bracket



Shield



Megapixels 3.8-13mm lens or Normal Lens



Shield Bracket CP-5015



### Notes:

We packed the units with free accessories; default packed depends on stock and the device's feature requirement. If you need specify the type, please inform us when you order.