

IPC401N Series Outdoor IR IP Camera Specifications

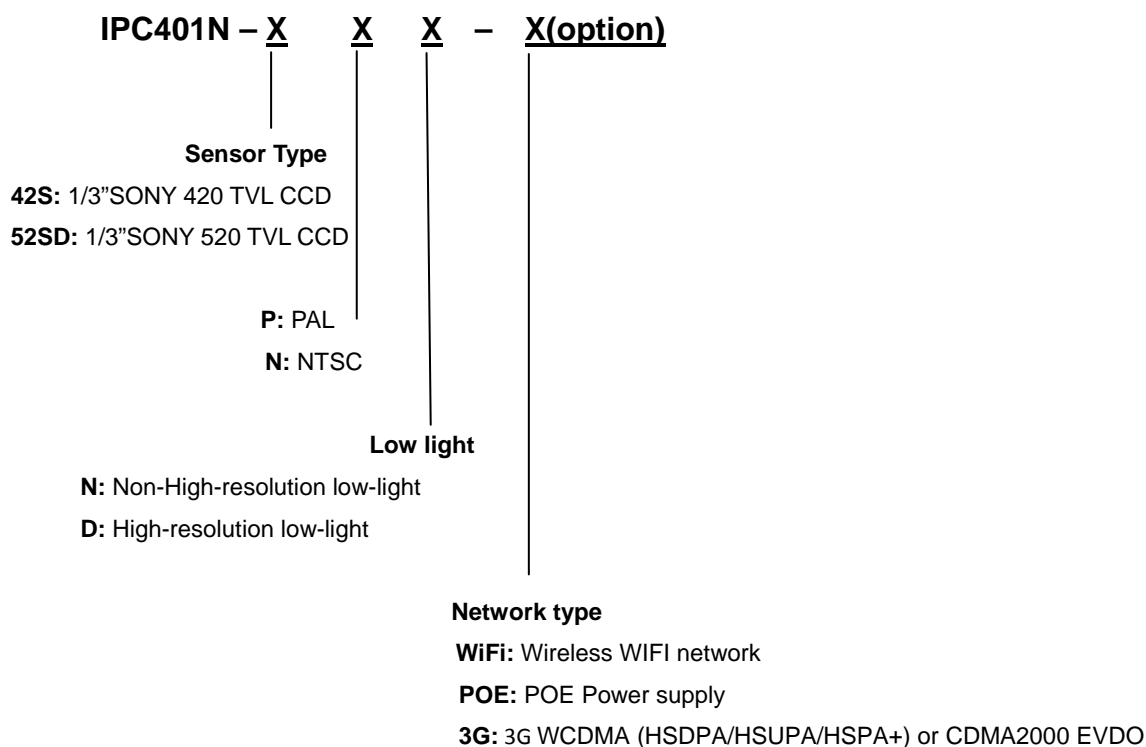


>>| Product Introduction

IPC401N series IR IP camera is based on IP network achieve network digital surveillance It is full-color, day and night dual-use, outdoor economic integration network cameras with infrared lights, It is waterproof effective, not fogged mirror. The infrared radiation distance can be up to 30 meters. Advanced H.264 coding algorithm to ensure a clearer and more fluid video transmission effect. Built-in Web Server allows users to conveniently carry out remote control via Internet Explorer. Furthermore, central management software can be used for integrated surveillance and management of multiple network cameras, so it is very easy to build large video surveillance system.

The series are suitable for public security, banking, ports, schools, buildings, residential zone and other places. It is a good choice for digital HD video network surveillance.

>>| Naming rules



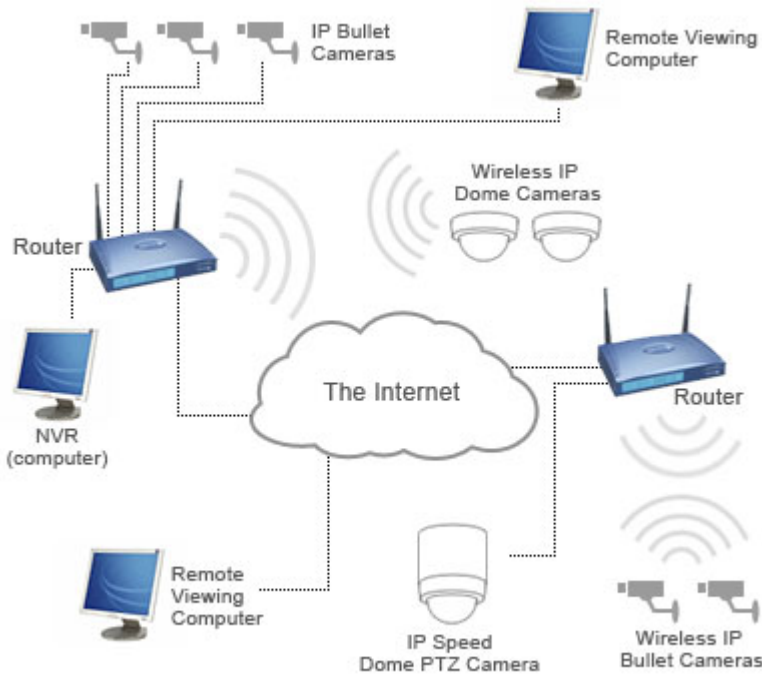
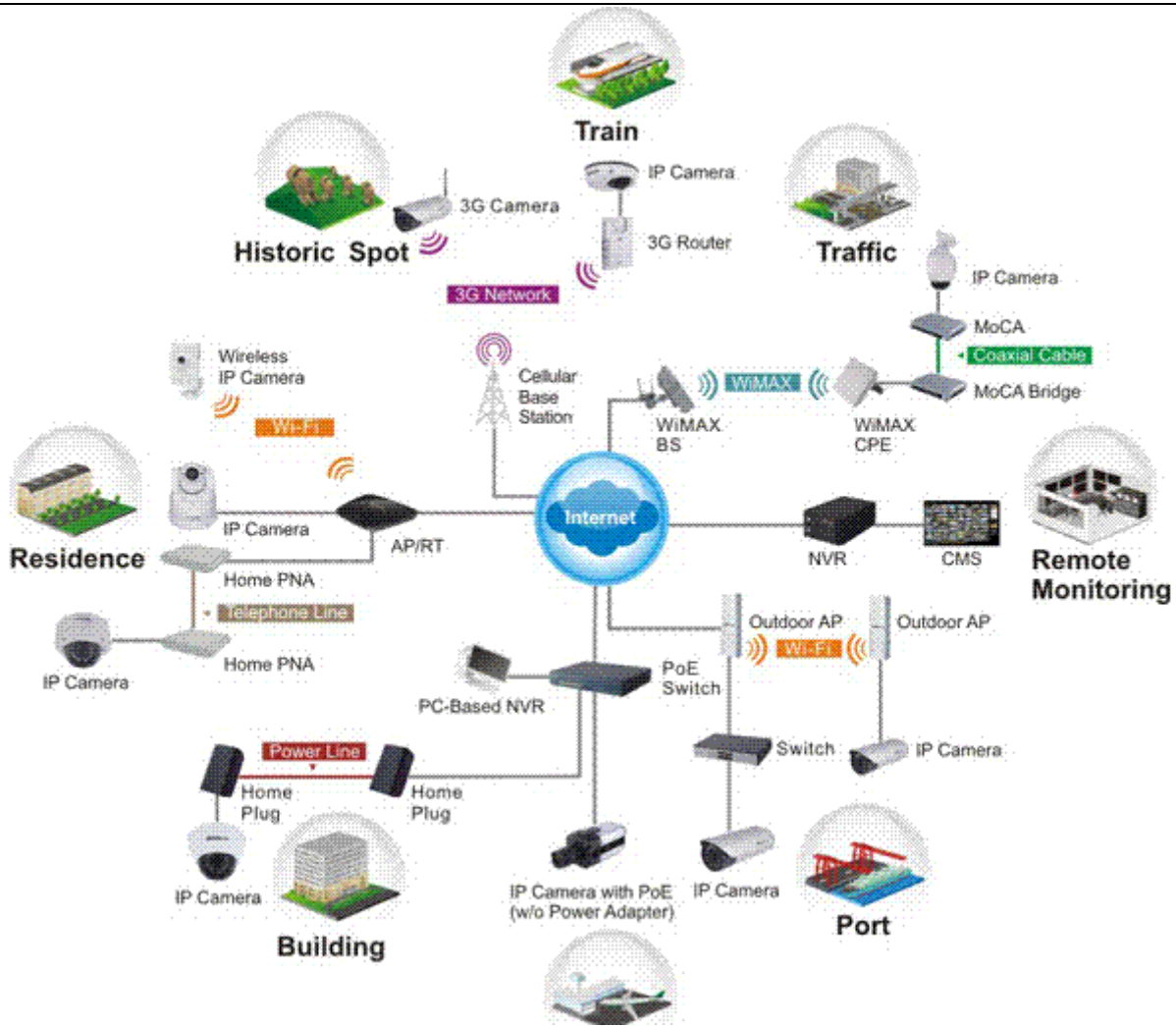
>>| Key Features

- 1) High-density and programmable communication media processor Hisilicon Hi3510, SOC single chip solution, equipped with two processors, ARM9 and DSP
- 2) Support both high sensitivity SONY CCD
- 3) Waterproof, 48 pcs of IR Led, IR distance 20M~50M
- 4) H.264 Main Profile@Level 3, realize transmission of High Definition video over low network bandwidth easily.
- 5) Up to 30 frames per second in all resolutions ranging up to 720x480
- 6) Up to 10 viewers can directly access the camera simultaneously
- 7) Built-in Web server enables the use of a standard Web browser for viewing and management
- 8) Support 3G mobile wireless remote control and view ip camera
- 9) Support remote software upgrade
- 10) Support dynamic IP address , LAN, Internet (ADSL and Cable Modem)
- 11) Support protocols: RTSP, RTP, HTTP, TCP/IP, UDP, SMTP, PPPoE, DDNS, DNS, SNTP, DHCP, FTP, SNMP
- 12) 1ch Mic input and 1ch linear audio output.
- 13) Auto-adjusting frame rate according to real-time network rate
- 14) Alarm recording: video lost, motion detection and sensor alarm
- 15) Provide RS485/RS232 serial port with several built-in high-speed domes and decoder protocols, supports transparent protocols.
- 16) Auto-recovery after exception occurs or the network is reconnect
- 17) Support motion detection, network fault detection and alarm video, image snapping
- 18) Support 4 areas privacy mask
- 19) Support ONVIF protocol
- 20) Built-in Web server enables the use of a standard Web browser for viewing and management
- 21) Support SDHC card storage; SD2.0 standard, maximum storage 32G

>>| Applications Scenarios

City security, Traffic, Mines, Financial, Park, etc.

>>| Typical Application Diagram





>>| Specification

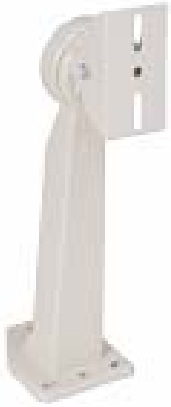
Model		IPC401N-42S(N)/(-W)/(-3G)/(-POE)	IPC401N-52S(N)D/(-W)/(-3G)/(-POE)
Hardware			
Network chip	Lan	Realtek 10/100M BASE-TX Self-adapting	
Sensor		1/3"SONY SUPER HAD CCD	
Effective Pixels		PAL:500(H)×582(V) ; N:510(H)×492(V)	PAL:752(H)×582(V); N:768(H)×494(V)
Min.Illumination		Color Mode: 0.1Lux@F1.2	Color Mode:0.1Lux@F1.2; B/W Mode:0.01Lux@F1.2
S/N		≥50db(AGC OFF)	
Day-night switch		Auto from color to B/W	
Electronic Shutter		Auto	
Infrared Parameter		48 infrared lamps, infrared distance 30-50m	
Interfaces			
CVBS video output		1 channel,420TVL,BNC connector	1 channel,520TVL,BNC connector
Optical lens	Interfaces	CS/C(Mount adapter)	
	Lens	Fixed Aperture	
	Focal Length	Packed with 6mm, 8mm/12mm optional Best effect: 6mm—8 to 16 meters, 8mm—12 to 20 meters, 12mm—20 to 30 meters	
Audio Talkback		1 channel MIC input,3.5 mm connector	
Audio Output		1 channel output, 3.5 mm connector	
Storage Interface		SDHC card supports video storage and image snapping; SD2.0 standard, maximum storage 32G	
Network Interface	Lan	10/100M BASE-TX,RJ-45 connector	

I/O		1-channel input, Normally Open/Normally Close modes adjustable; 1-channel output, 120VAC 1A/24VDC 1A,1 RS485 interface
Audio video encoding		
Video Compression		H.264 Main Profile; MJPEG/JPEG Baseline
Resolution	Master/ Second Streaming	D1:704*576(PAL),1-25 fps/sec;704*480(N),1-30 fps/sec Half-D1:704*288(PAL),1-25 fps/sec;704*240(N),1-30 fps/sec CIF:352*288(PAL),1-25 ps/sec;352*240(N),1-30 fps/sec QCIF:176*144(PAL),1-25 fps/sec;176*120(N),1-30 fps/sec
Video Bitrates		32Kbps~16Mbps, Supports CBR/VBR
Title OSD		Supports channel name, date & time, and video stream information overlay; OSD location is adjustable
Audio Compression		G.711, G.726, support 32 K stereo
Data transmission and storage		
Data storage		video and image
Recording		Recording set up to record by motion trigger, alarm trigger, manual, circle, or schedule
Alarm Output		FTP,E-mail, Explorer, Management software
Network protocol		TCP/IP,UDP,RTP,RTSP,RTCP,HTTP,DNS,DDNS,DHCP,FTP,NTP,PPPOE,SMTP,UPNP
Wireless protocols(-W)		802.11b/g/n,Supports WEP,WPA,WPA2("-w" model supports)
ONVIF protocol		Support
Remote View	Computer	Internet Explorer v6 or Later; Mozilla Firefox v1.5 or Later, or other Java-enabled Browsers, Chome, Opera, Safari, max 10user
	Mobile Phone	Windows Mobile, Symbian, iPhone
Others		
Operating Temperature		-10℃ - +75℃
Operating Humidity		0% - 95%
Power		DC12V/POE(IEEE 802.3af)(Optional)
Power Consumption		12W(MAX)
Dimension		257(L) * 122(W) *120(H)mm
Weight		1.5Kg
Model	Marks	Option
IPC401N-42SD	1/3"SONY 420 TVL CCD	
IPC401N-52SD	1/3"SONY 520 TVL CCD, High-resolution low-light	
IPC401N-XXX-W	With WiFi	
IPC401N-XXX-3GW	With 3G HSPA module	
IPC401N-XXX-3GE	With 3G EVDO module	
Optional Accessories		
Lens	8mm	Best for 12~20 meters
Lens	12mm	Best for 20~30 meters

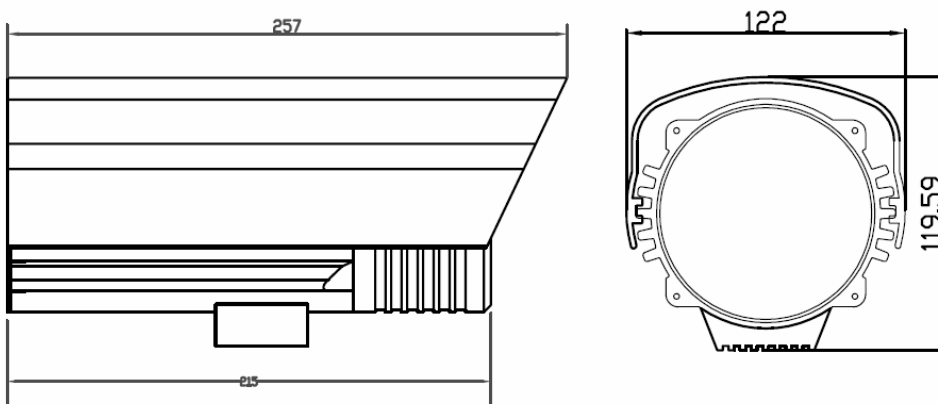
Notes:
We packed the units with free accessories; default packed depends on stock and the device's feature requirement. If you need specify the type, please inform us when you order.

>>| Optional Accessories

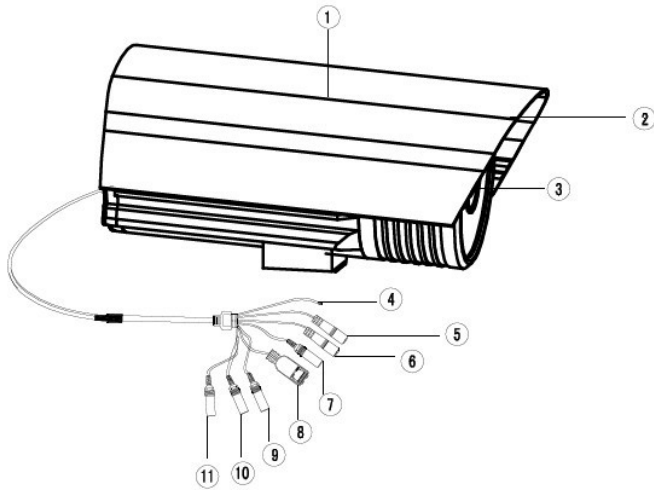
Bracket



>>| Dimension Drawing



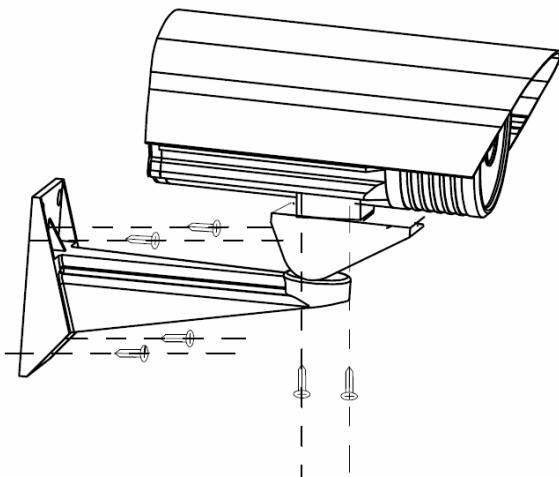
Interface



- ① SCREW HOLE*2
- ② SUNSHADE
- ③ FRONT COVER
- ④ RESET
- ⑤ ALARM OUTA+/ALARM OUTB-
- ⑥ ALARM IN+/GND-
- ⑦ RS485+/RS485-
- ⑧ RJ45
- ⑨ AUDIO IN
- ⑩ AUDIO OUT
- ⑪ DC 12V INPUT

>>| Installation Guide

Bracket Installation



Lens adjustment

