

## IPC402B-MPS Series Vandal-proof Dome IP Camera Specifications



### >>| Product Introduction

IPC402B-MPS series based on IP network, achieve network digital surveillance, transmit clear, smooth video surveillance images.

IPC402B -MPS series use mega pixels 1/3" CCD, uses advanced H.264 codec. Supports dual streaming, Transmit high-quality H.264 video in the low-bandwidth network environment smooth , also supports MJPEG compression; built-in 2.8-12mm lens; Support Color/BW mode converting, Auto ICR switch;Support audio, alarm functions,provide third-party systems integration interface.

The series use an integrated Vandal- proof shield. Excellent impact resistance, Applicable to natural environment or human factors need to prevent destruction of the place, such as coal mine, public security, banking, prison, with video surveillance system software platform, can realize different network environments of large-scale network surveillance.

### >>| Naming rules

IPC402B-MPS – X – X

**Network**

**W:** Wireless WIFI network

**POE:** POE Power supply

**IR:** With IR LEDs

### >>| Key Features

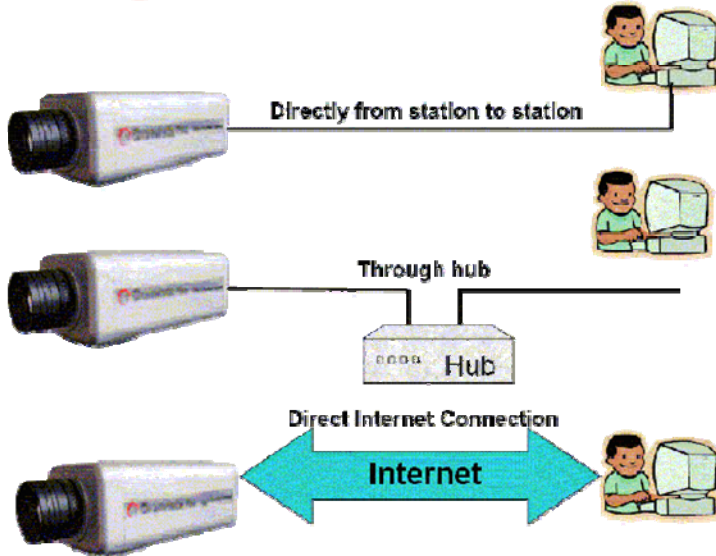
- ◆ 1/3" Progressive Scan CCD, Capture motion images without jagged
- ◆ Excellent low light performance.
- ◆ Support Color/BW mode converting; Auto ICR switch
- ◆ Built-in 2.8-12mm zoom lens
- ◆ Three-axis adjustable, easy to install construction
- ◆ Local CVBS video output , easy installation adjustment
- ◆ H.264/MJEG is optional, dual streaming, high compression ratio, and high quality.
- ◆ Support two-way talking
- ◆ Support Micro SDHC storage; SD2.0 standard
- ◆ Support motion detection, network fault detection and alarm video, image snapping
- ◆ Support 4 areas privacy mask
- ◆ Built-in Web server enables the use of a standard Web browser for viewing and management.
- ◆ Vandal- proof shield
- ◆ Power:DC12V/1A
- ◆ Support POE power supply
- ◆ Support ONVIF protocol

## >>| Applications Scenarios

Suitable for financial, telecommunications, government, schools, airports, factories, hotels, museums, traffic monitoring and other requirements of high-definition picture and Vandal- proof places.

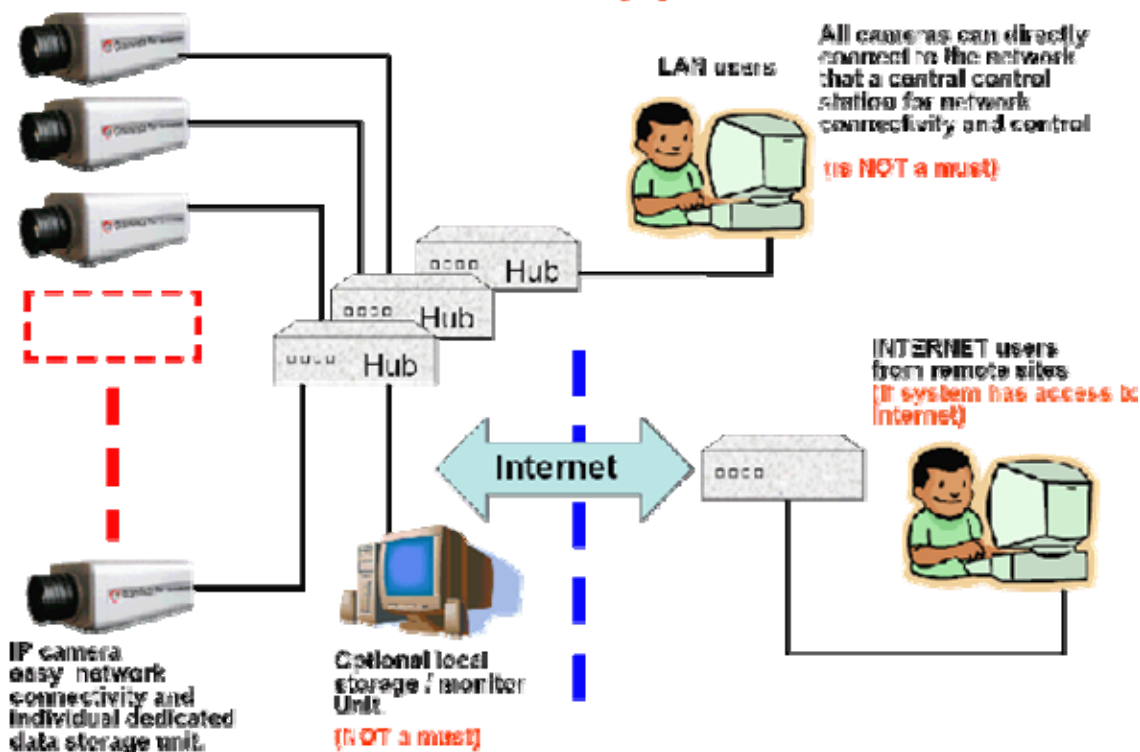
## >>| Typical Application Diagram

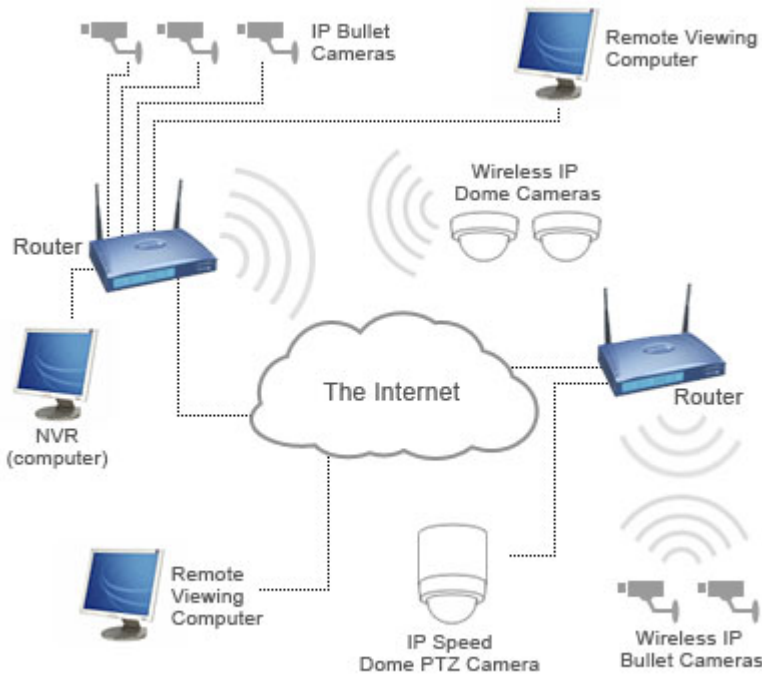
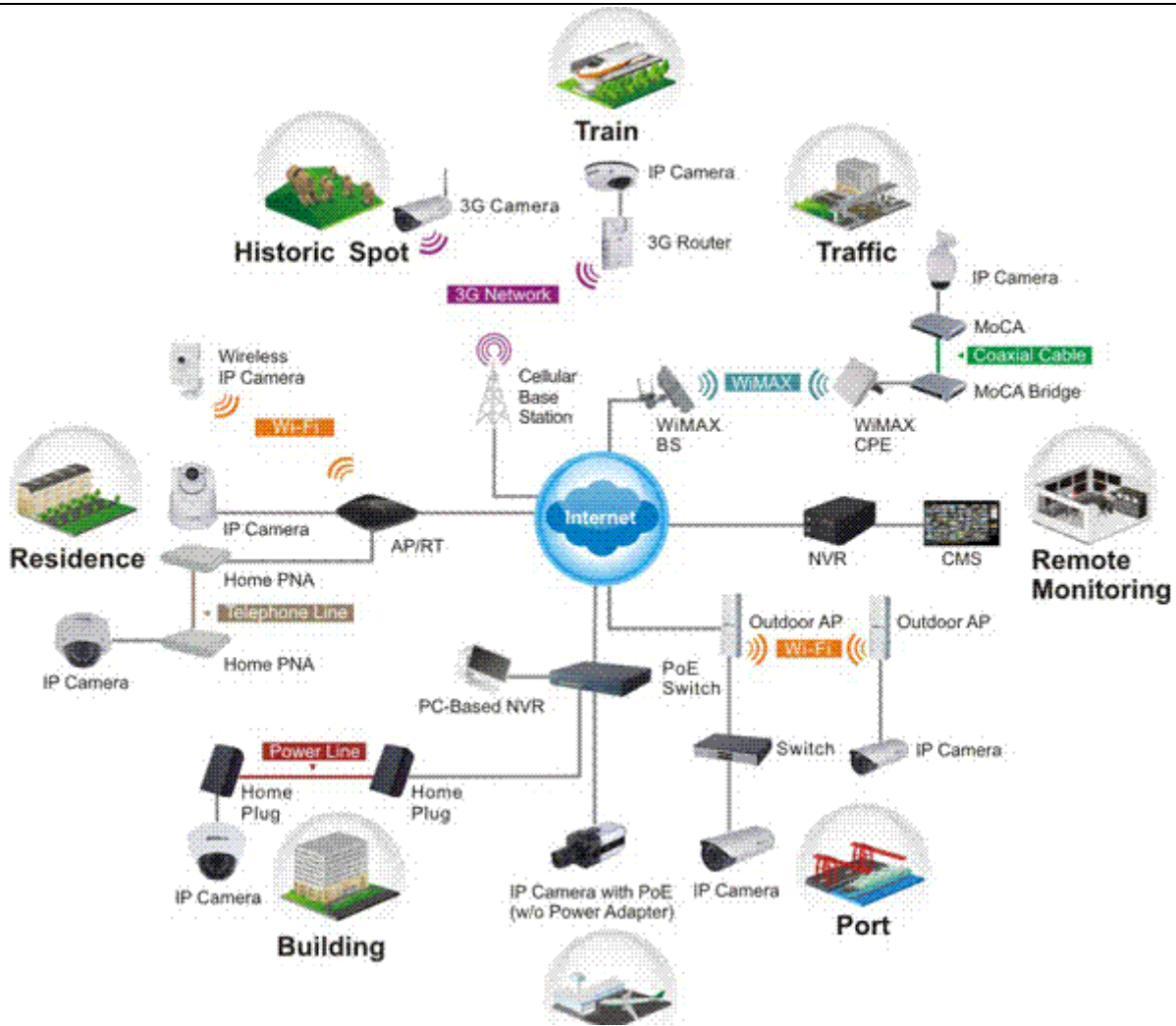
## Single unit applications



- ✓ After it is setup and activated, the camera stores data on built-in SD card first-in-first-out basis. No maintenance is required.
- ✓ Ideal for single camera application. No central processing or data recording unit is required.
- ✓ Your most powerful and cost-effective choice for single camera application.

## Multi-camera applications







## >>| Specification

Model		IPC402B-MPS/(-W)/(-POE)/(ICR)
Hardware		
Network chip	Lan	Realtek 10/100M BASE-TX Self-adapting
Sensor		1/3" SONY Progressive Scan CCD
Effective Pixels		1280(H)×960(V)
Total pixels		1.3M
Min. Illumination		Color Mode:0.1Lux@F1.2;B/W Mode:0.01Lux@F1.2
S/N		≥50db(AGC OFF)
Day/night		ICR
Auto Electronic Shutter		1/25-1/10000sec,Slow shutter:1/2,1/4,1/8,1/12sec
Interfaces		
Optical lens	Interfaces	Φ14
	Lens	Manual zoom
	Focal Length	2.8-12mm
Audio Talkback		1 channel MIC input, External access, 3.5 mm audio interface
Audio Output		1 channel linear output, 3.5 mm audio interface
CVBS video output		1 channel ,BNC connector
Storage Interface		Micro SDHC card supports video storage and image snapping; SD2.0 standard, maximum storage 32G(Optional)
Network Interface	Lan	10/100M BASE-TX,RJ-45 connector
I/O		1-channel input, Normally Open/Normally Close modes adjustable; 1-channel output, 120VAC 1A/24VDC 1A,1 RS232 interface

Audio video encoding		
Video Compression		H.264 Main Profile; MJPEG/JPEG Baseline
Resolution	Master Streaming	1280*960,1-12.5fps/sec 1280*720,1-25fps/sec
	Second Streaming	640*480,1-25fps/sec 320*240,1-25fps/sec 160*112,1-25fps/sec
Video Bitrate		32Kbps~16Mbps,Supports CBR/VBR
Title OSD		Supports channel name, date, and video stream information overlay; OSD location is adjustable
Audio Compression		G.711, G.726,support 32 K stereo
Data transmission and storage		
Data storage		Video and Image
Recording		Recording set up to record by motion trigger, alarm trigger, manual, or schedule
Alarm Output		FTP,E-mail, Explorer, Software
Network protocol		TCP/IP,UDP,RTP,RTSP,RTCP,HTTP,DNS,DDNS,DHCP,FTP,NTP,PPPOE,SMTP,UPNP
Wireless protocols(-W)		802.11b/g,Supports WEP,WPA,WPA2("-w" model supports)
ONVIF protocol		Support
Remote View	Computer	Internet Explorer v6 or Later; Mozilla Firefox v1.5 or Later, or other Java-enabled Browsers, Chome, Opera, Safari, max 10user
	Mobile Phone	Windows Mobile, Symbian, iPhone
General Parameters		
Vandal- proof capacity		1 ton impact
Operating Temperature		-10℃ - +55℃
Operating Humidity		0% - 90%
Power		DC12V/POE(IEEE 802.3af)(Optional)
Power Consumption		7W(MAX)
Dimension		112(H) * Φ165mm
Weight		1.5kg
Models	Marks	
IPC402B-MPS	Basic type	
IPC402B-MPS-POE	With POE	
IPC402B-MPS-W	With WiFi	
IPC402B-MPS-ICR	With ICR	
IPC402B-MPS-POE-ICR	With POE, ICR	
IPC402B-MPS-W-ICR	With WiFi, ICR	

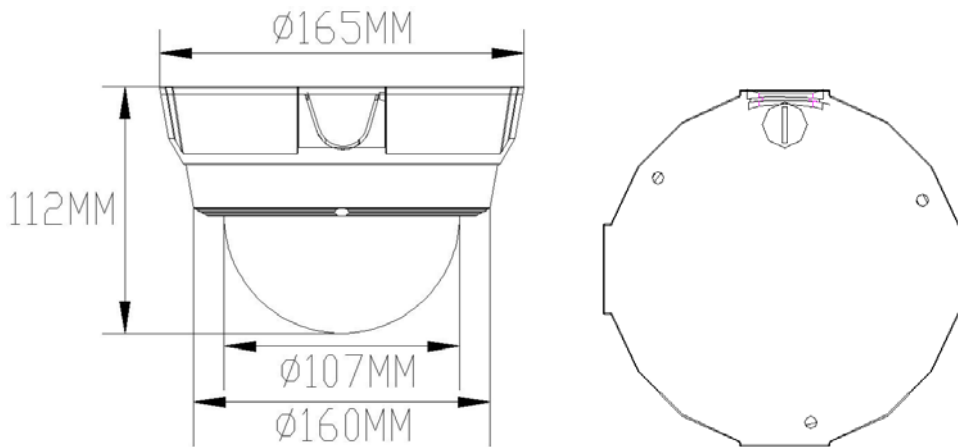
## >>| Optional Accessories



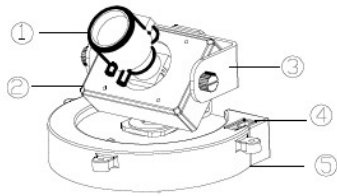
### Notes:

We packed the units with free accessories; default packed depends on stock and the device's feature requirement. If you need specify the type, please inform us when you order.

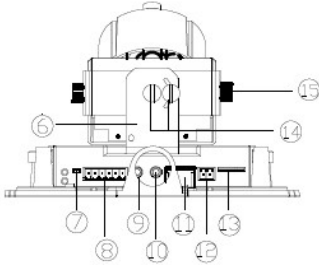
## >>| Dimension Drawing







- ① 2.8-12mm VARIFOCA L LENS
- ② SENSOR MODULE, VERTICAL ADJUSTING
- ③ U BRACKET FOR CLOCKWISE OR COUNTER CLOCKWISE ROTATION
- ④ VIDEO OUTPUT
- ⑤ PCBA BASE
- ⑥ L BRACKET FOR CLOCKWISE OR COUNTER CLOCKWISE ROTATION



- ⑦ RESET
- ⑧ ALARM IN/OUT, RS232
- ⑨ AUDIO OUT
- ⑩ AUDIO IN
- ⑪ RJ45
- ⑫ DC 12V INPUT
- ⑬ SD CARD SLOT
- ⑭ HOLDING SCREW FOR U BRACKET
- ⑮ HOLDING SCREW FOR VERTICAL ADJUSTING

## >>| Installation Guide

