

IPC402C Series Dome IP Camera Specifications

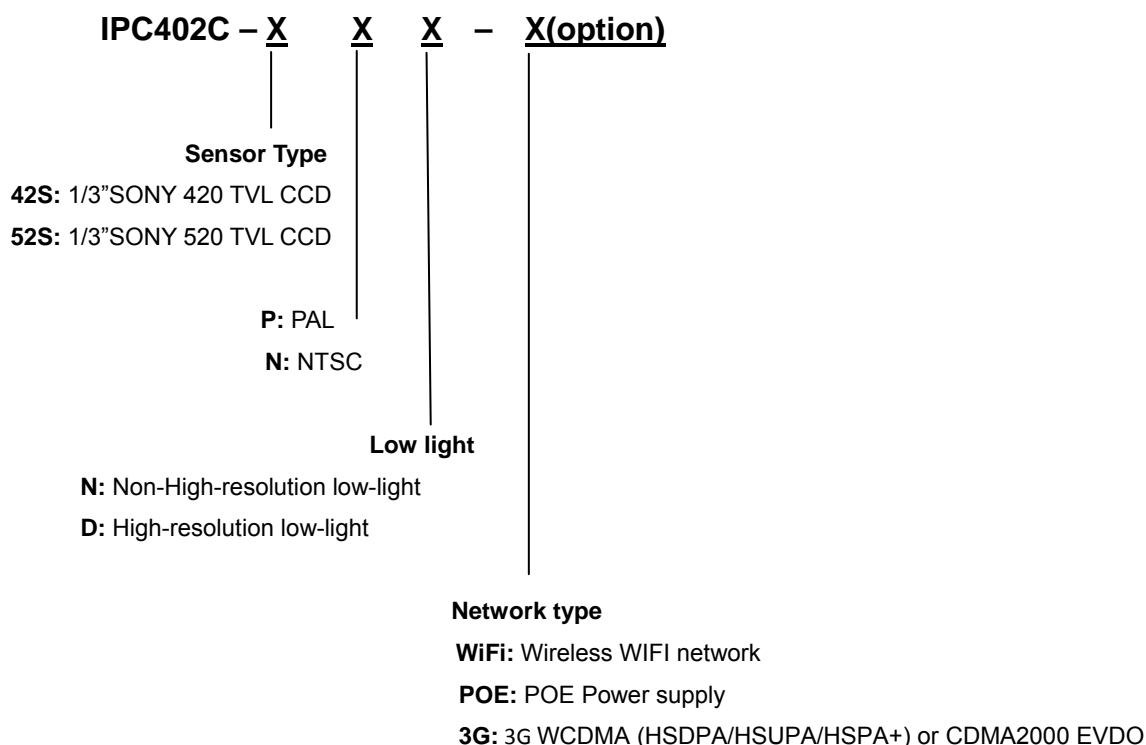


>>| Product Introduction

IPC402C series based on IP network, achieve network digital surveillance, transmit clear, smooth video surveillance images.

IPC402C series use SONY 1/3" CCD ,Supports dual streaming, Transmit high-quality H.264 video in the low-band width network environment smooth , also supports MJPEG compression; Built-in 2.8-12mm lens; support day/night auto converting; Support audio, alarm, Infrared night vision, provide third-party systems integration interface. The series use compact, lightweight ABS housing, metal base, lightweight appearance, excellent thermal performance, Suitable for hotels, supermarkets, offices, corridors, stairways and other indoor surveillance sites. Can be built-in infrared LED, low light or at night black zero illumination conditions can be clearly imaging. It is a good choice that upgrade from analog surveillance to network digital surveillance.

>>| Naming rules



>>| Key Features

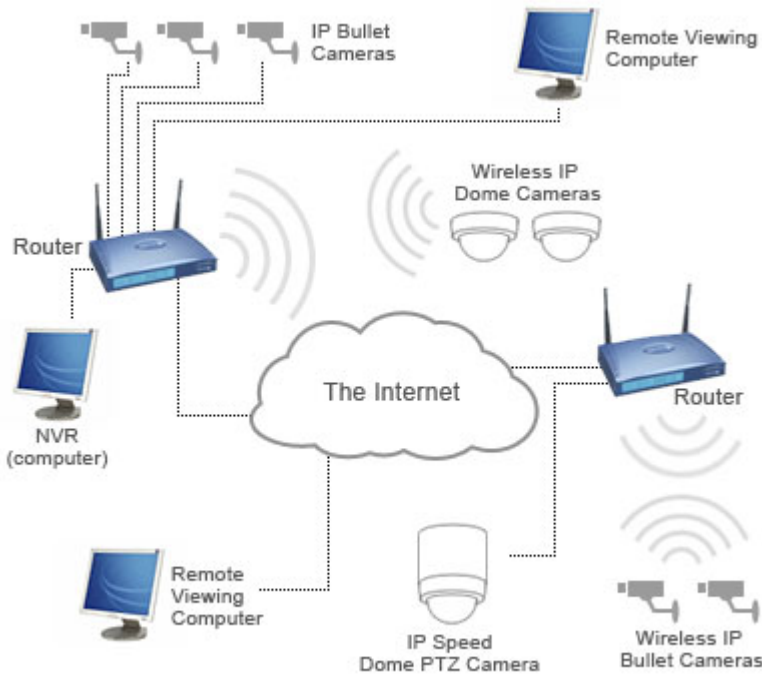
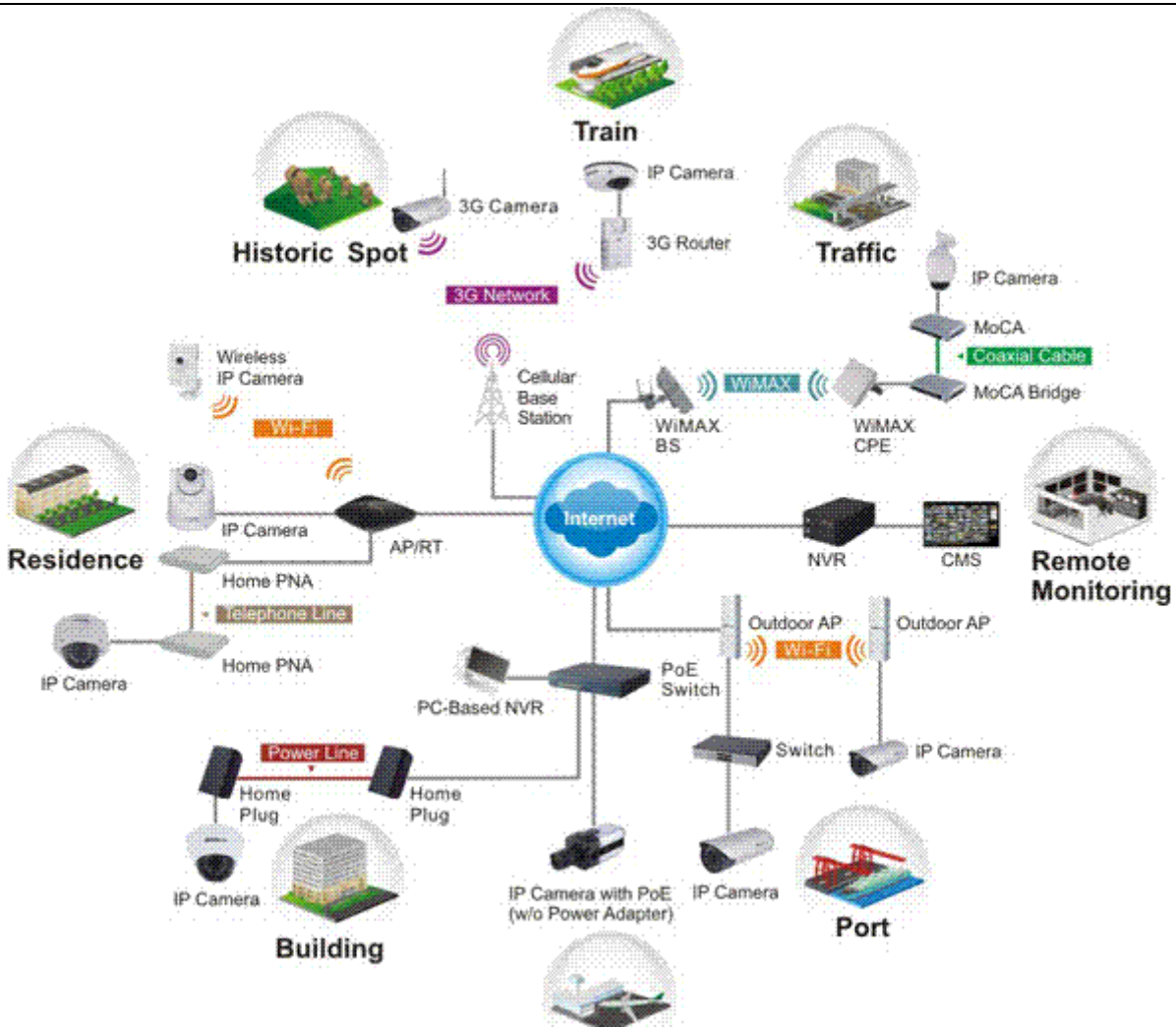
- ◆ 1/3" SONY CCD
- ◆ IR model support auto Color/BW mode converting

- ◆ Built-in 2.8-12mm zoom lens
- ◆ Two-axis adjustable, easy to install construction
- ◆ 15 IR LEDs, IR distance 10m ("-IR" model supports)
- ◆ H.264/MJEG is optional, dual streaming, low bandwidth, and high quality.
- ◆ Support two-way talking
- ◆ Support Micro SDHC card storage;SD2.0 standard, maximum storage 32G
- ◆ Multiple network protocol support, adapt to the LAN / WIFI Mobile
 - Support motion detection, network fault detection, alarm recording, image snapping
- ◆ Support 4 areas privacy mask
- ◆ Built-in Web Server,Support IE video browsing, parameter configuration, upgrade, user rights management
- ◆ User-friendly design, installation convenience
- ◆ Power supply DC12V/1A
- ◆ Support POE power supply
- ◆ Support ONVIF protocol

>>| Applications Scenarios

Suitable for hotels, supermarkets, offices, corridors, stairways and other indoor surveillance sites, etc.

>>| Typical Application Diagram





>>| Specification

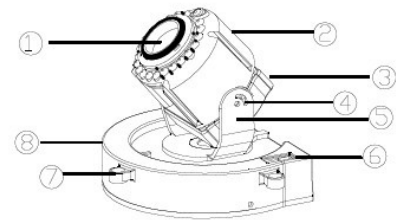
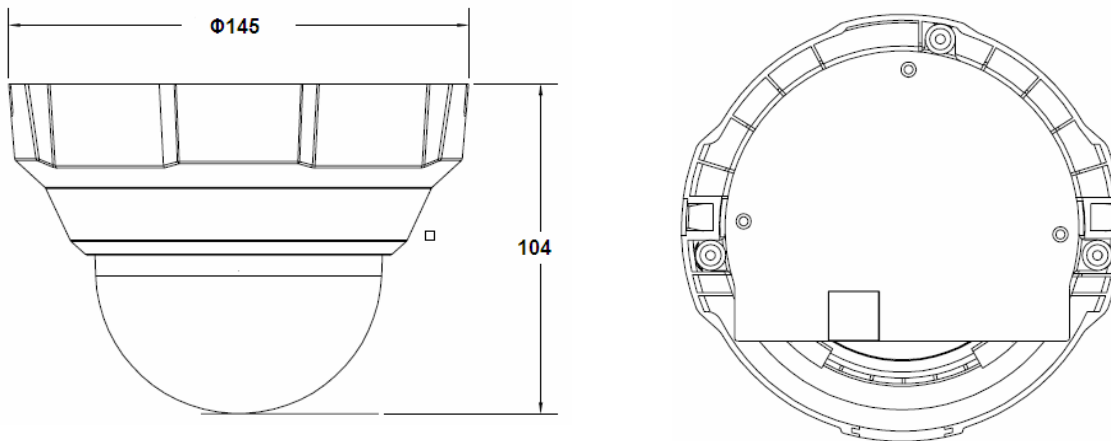
Model		IPC402C-42S(N)/(-W)/(-POE)/(-IR)	IPC402C -52S(N)D/(-W)/(-POE)/(-IR)
Hardware			
Network chip	Lan	Realtek 10/100M BASE-TX Self-adapting	
Sensor		1/3"SONY SUPER HAD CCD	
Effective Pixels		PAL:500(H)×582(V) N:510(H)×492(V)	PAL:752(H)×582(V) N:768(H)×494(V)
Analog Video		PAL/NTSC,420TVL	PAL/NTSC,520TVL
Min. Illumination		0. 1Lux@F1.2	0.01Lux@F1.2
S/N		≥50db(AGC OFF)	
Day/night (-IR)		Auto	
IR Parameters (-IR)		15IR LEDs, IR distance 10m	
Electronic Shutter		Auto	
Interfaces			
Optical lens	Interfaces	M12*0.5	
	Lens	Fixed Iris	
	Focal Length	2.8-12mm	
Audio Talkback		1 channel MIC input, External access, 3.5 mm audio interface	
Audio Output		1 channel linear output, 3.5 mm audio interface	
Storage Interface		Micro SD card supports video storage and image snapping; SD2.0 standard, maximum storage 32G(Optional)	
Network Interface	Lan	10/100M BASE-TX,RJ-45 connector	
I/O		1-channel input, Normally Open/Normally Close modes adjustable; 1-channel output, 120VAC 1A/24VDC 1A,1 RS232 interface	

Audio video encoding		
Video Compression		H.264 Main Profile; MJPEG/JPEG Baseline
Resolution	Master/Second Streaming	D1:704*576(PAL),1-25fps/sec;704*480(N),1-30fps/sec Half-D1:704*288(PAL),1-25fps/sec;704*240(N),1-30fps/sec CIF:352*288(PAL),1-25fps/sec;352*240(N),1-30fps/sec QCIF:176*144(PAL),1-25fps/sec;176*120(N),1-30fps/sec
Video Bitrate		32Kbps~16Mbps,Supports CBR/VBR
Title OSD		Supports channel name, date, and video stream information overlay;OSD location is adjustable
Audio Compression		G.711, G.726,support 32 K stereo
Data transmission and storage		
Data storage		Video and Image
Recording		Recording set up to record by motion trigger,alarm trigger, manual, or schedule
Alarm Output		FTP,E-mail, Explorer, Software
Wireless protocols(-W)		802.11b/g,Supports WEP,WPA,WPA2("-w" model supports)
Network protocol		TCP/IP,UDP,RTP,RTSP,RTCP,HTTP,DNS,DDNS,DHCP,FTP,NTP,PPPOE,SMTP,UPNP
ONVIF protocol		Support
Remote View	Computer	Internet Explorer v6 or Later; Mozilla Firefox v1.5 or Later, or other Java-enabled Browsers, Chrome, Opera, Safari, max 10user
	Mobile Phone	Windows Mobile, Symbian, iPhone
General Parameters		
Operating Temperature		-10℃ - +55℃
Operating Humidity		0% - 90%
Power		DC12V/POE(IEEE 802.3af)(Optional)
Power Consumption		5W(MAX)
Dimension		Φ145(OD)*104(H)mm
Weight		0.6KG
Optional Accessories		
Lens	2.8mm	Best for 3~8 meters, not support IR
Lens	4mm	Best for 4~12 meters, not support IR
Lens	6mm	Best for 8~18 meters, can support IR
Lens	8mm	Best for 12~20 meters, can support IR
Models	Marks	
IPC402C-42SD	1/3" SONY CCD, 420TVL	
IPC402C-52SD	1/3" SONY CCD, 520TVL	
IPC402C-XXXX-POE	With POE	
IPC402C-XXXX-IR	With IR	

Notes:

We packed the units with free accessories; default packed depends on stock and the device's feature requirement. If you need specify the type, please inform us when you order.

>>| Dimension Drawing



- ① 2.8-12mm VARIFOCAL LENS
- ② IR LIGHT SETS
- ③ SENSOR MODULE, X,Y AXIS ADJUSTABLE
- ④ HOLDING SCREW FOR VERTICAL ADJUSTING
- ⑤ HORIZONTALLY ROTATING HOLDER
- ⑥ VIDEO OUTPUT
- ⑦ SCREW HOLE FOR INSTALLING
- ⑧ PCBA BASE

