

IPC403H-MPX-IR High Speed Dome IP Camera Specifications

>>| Product Appearance

A. IPC403H-MPS-IR, IPC403H-MPC-TH-IR, IPC403H-MPC-TS-IR:



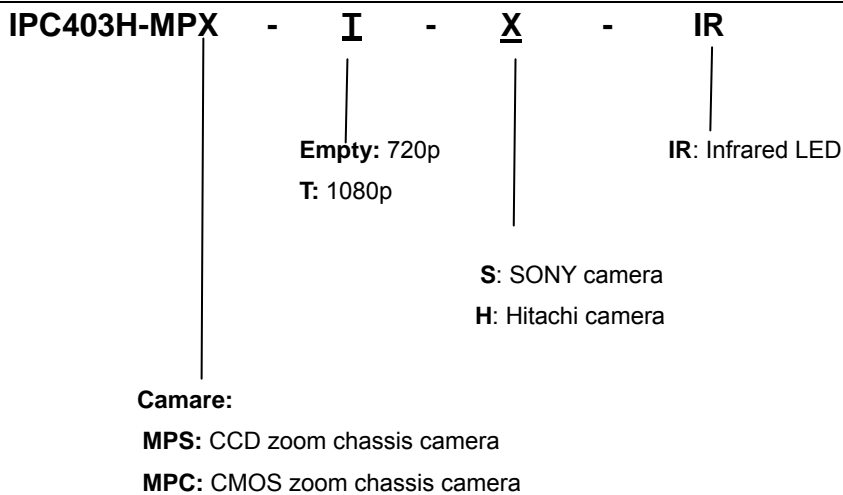
>>| Product Introduction

IPC403H-MPX-IR series based on IP network achieve network digital surveillance; transmit clear, smooth video surveillance images.

IPC403H -MPX-IR series built-in zoom integration camera, advanced H.264 codec, Supports dual streaming, Transmit high-quality H.264 video in the low-bandwidth network environment smooth, also supports MJPEG compression; high performance precision Integration camera achieve zoom, Suitable for large-scale, multi-angle surveillance and Continuous tracing target; Support Day/Night mode switch, Selection of imported high-power super lattice array of infrared LEDs, equipped with a powerful video analysis dimming technology, with manual, automatic, timing, camera synchronization and other mode, the max distance up to 150m, especially suitable for outdoor 24 hours monitoring; Support audio, alarm , provide third-party systems integration interface.

This series of products uses spherical shells of die-cast aluminum, IP66 rating of protection, Unique cooling technology, built-in temperature control device (cooling fan and heater), suitable for using in harsh environments.

>>| Naming rules



>>| Key Features

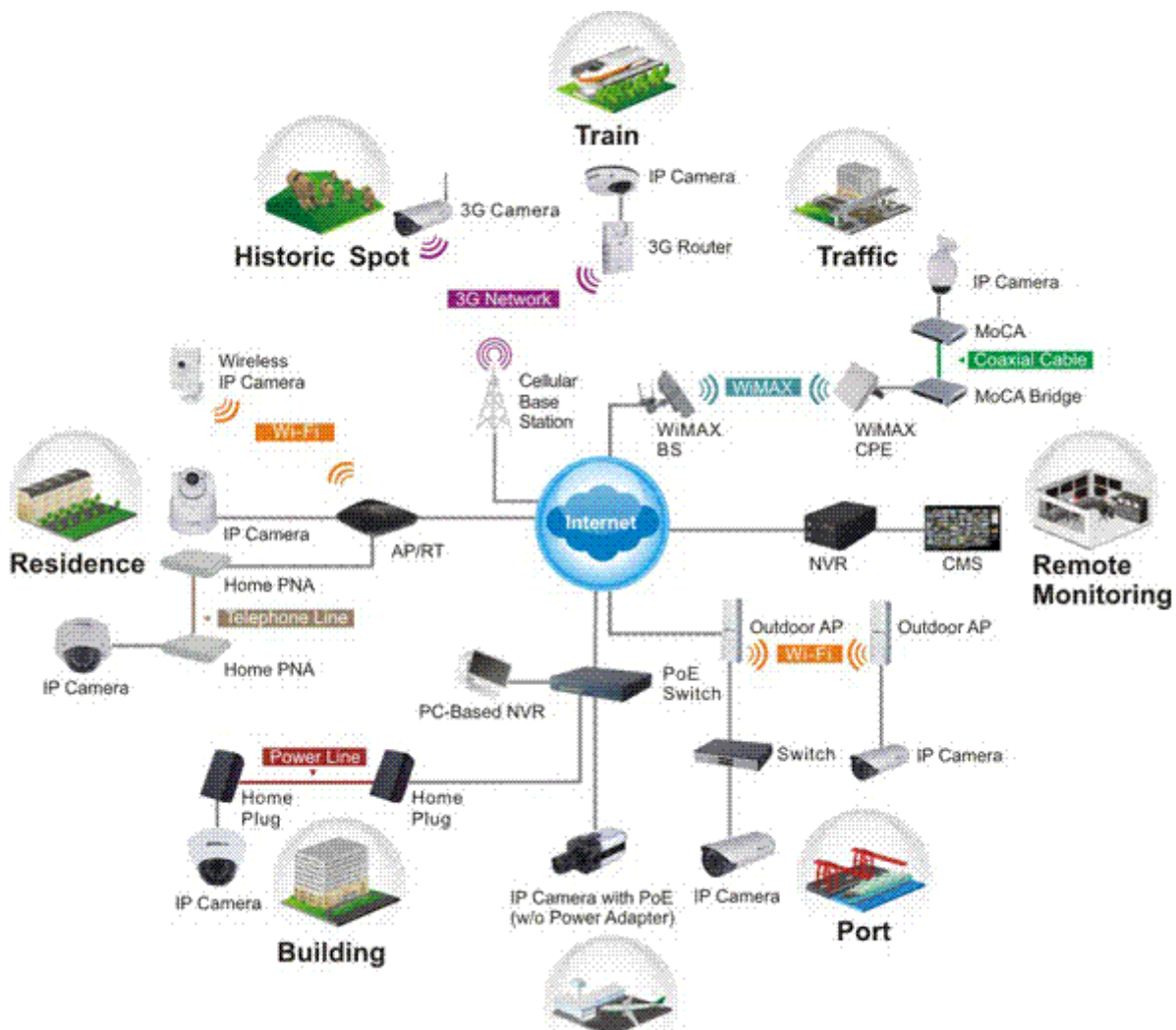
- ◆ 10 imported high-power super lattice array of infrared lights, IR distance 150M(Max)
 - ◆ Up to 8 privacy masking areas (Requires camera to support)
 - ◆ Infrared auto-dimming technology, Low-carbon environmental protection and energy saving of 50%, the infrared lamp life up to 3x
 - ◆ Unique cooling technology, Cooling effect is good, high reliability, dustproof and waterproof
 - ◆ Park, set the ball machine idle for some time, automatically call preset, scan, cruise mode, the path functions
 - ◆ 256 Preset points
 - ◆ 8 Patrols, each patrol up to 32 presets
 - ◆ 4 Patterns, 500 commands(about 30 minute)/pattern
 - ◆ Auto scanning:8
 - ◆ PELCO_P, PELCO_D and other control protocols automatic identification
 - ◆ Horizontal rotation range: 360°, Vertical rotation range :180
 - ◆ Horizontal speed:0.01~350°/S; Vertical speed:0.01~120°/S
 - ◆ H.264/MJEG is optional, dual streaming,high compression ratio,and high quality.
 - ◆ Support Micro SDHC storage; SD2.0 standard
 - ◆ Title, date and time, stream information, azimuth angle, zoom display
 - ◆ Support: TCP/IP, UDP, RTSP, HTTP, DDNS, FTP, NTP, PPPOE, SMTP
- Support ONVIF protocol

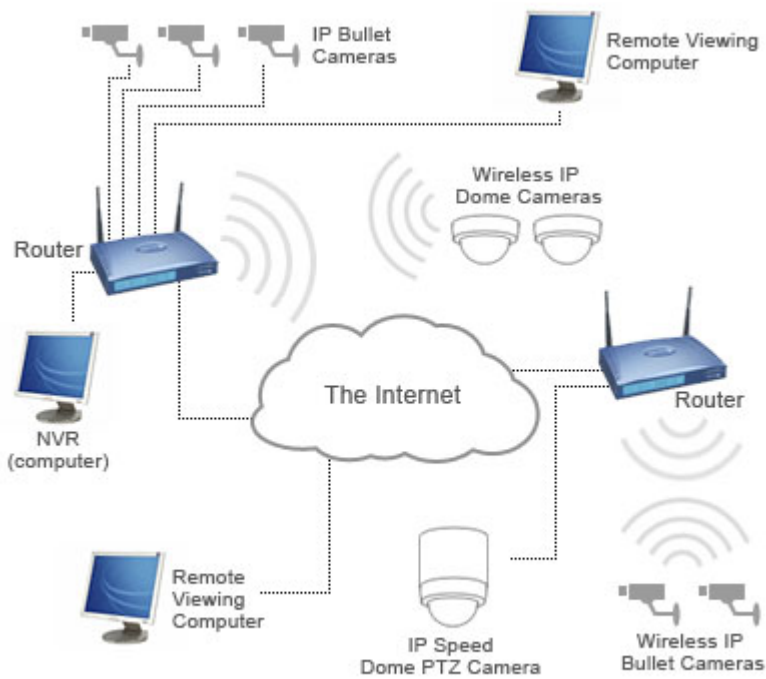
- ◆ Built-in Web server enables the use of a standard Web browser for viewing and management.
- ◆ IP66 rating
- ◆ Lightning protection design, 3000V surge protection

>>| Applications Scenarios

Applicable to forests, scenic, highway, railway, airport, port, square, park, street, railway stations, stadiums, residential district and other places.

>>| Typical Application Diagram





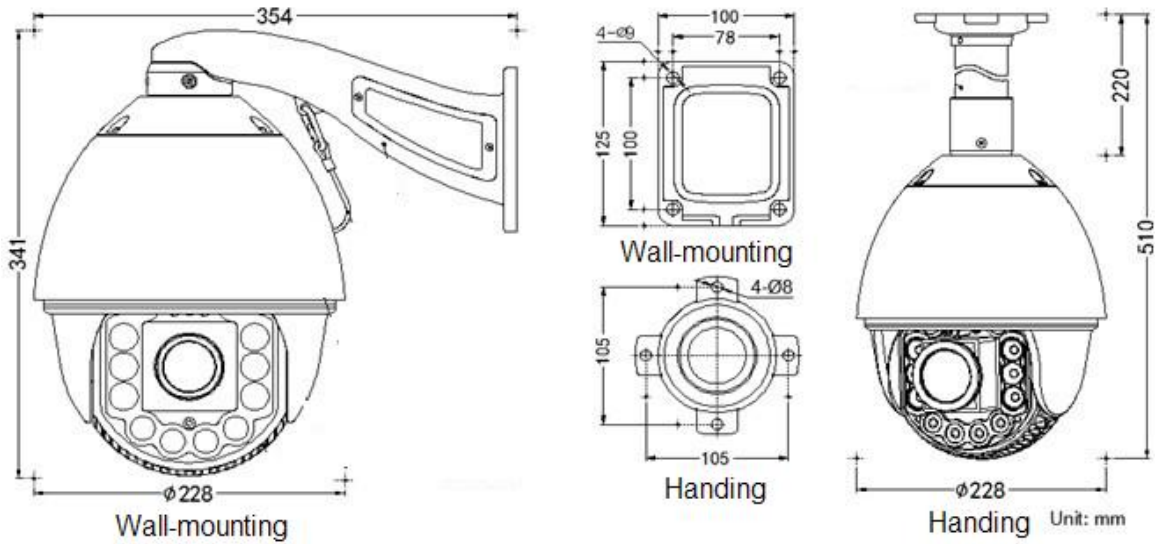
>>| Specification

Model		IPC403H-MPS-IR	IPC403H-MPC-TH-IR	IPC403H-MPC-TS-IR
Camera		Hitachi	Hitachi	Sony
Network chip	Lan	Realtek 10/100M BASE-TX Self-adapting		
Sensor		1/3" Progressive Scan CCD	1/2.8" Progressive Scan CMOS	1/2.8" Progressive Scan CMOS
Effective Pixels		1280(H)×960(V)	1920(H)×1080(V)	1920(H)×1080(V)
Lens		18X optical 12X digital zoom	20X optical	20X optical 12X digital zoom

Focal Length	f=4.7mm(W) ~ 84.6mm(T)	f=4.7mm(W) ~ 94mm(T)	f=4.7mm(W) ~ 94mm(T)
Iris	F1.6 ~F2.8	F1.6 ~F3.5	F1.6 ~F3.5
Horizontal Angle of View	55.2°(W)~3.2°(T)	55.2°(W)~2.9°(T)	55.2°(W)~2.9°(T)
Min.Illumination	Color:0.1Lux@F1.6, B/W :0.005Lux@F1.6,	Color:0.1Lux@F1.6 B/W:0.01Lux@F1.6	Color :0.5Lux@F1.6
Day/night	Auto switch (dual IR-Cut filter).		
S/N	≥50db(AGC OFF)		
Parameters adjustment	AWB,AGC,BLC		
Auto Electronic Shutter	1/25—1/100000sec,Slow shutter:1/2,1/4,1/8,1/12sec		
Infrared	10 LEDs ;IR distance 150M(Max)		
Interfaces			
Audio Talkback	1 channel MIC input, 3.5 mm connector		
Audio Output	1 channel output, 3.5 mm connector		
Storage Interface	SDHC card supports video storage and image snapping; SD2.0 standard, maximum storage 32G(Presets before delivery)		
Network Interface	Lan	10/100M BASE-TX,RJ-45 connector	
Alarm (Optional)	Input: 7; Output: 2		
Audio video encoding			
Video Compression	H.264 Main Profile; MJPEG/JPEG Baseline		
Resolution	Master Streaming	1280*960,1-16.7(20)fps 1280*720,1-25(30)fps	1920*1080,1-25(30)fps 1280*720,1-25(30)fps
	Second Streaming	640*480,1-25fps 320*240,1-25fps 160*112,1-25fps	
Video Bitrate	32Kbps~16Mbps,Supports CBR/VBR		
Information Display	Dome title, preset title, Auto scanning title, Area scanning title, zoom, PTZ ,Alarm information, Date/Time		
Audio Compression	G.711, G.726,support 32 K stereo		
Data transmission and storage			
Data storage	Video and Image		
Recording	Manual		
Alarm Output	E-mail, Explorer, Software		
Network protocol	TCP/IP,UDP,RTP,RTSP,RTCP,HTTP,DNS,DDNS,DHCP,FTP,NTP,PPPOE,S MTP,UPNP		
ONVIF protocol	Support		
Remote View	Computer	Internet Explorer v6 or Later; Mozilla Firefox v1.5 or Later, or other Java-enabled Browsers, Chrome, Opera, Safari, max 16user	
	Mobile Phone	Support Windows Mobile, Symbian, iPhone, Android platform	
Special Parameters			

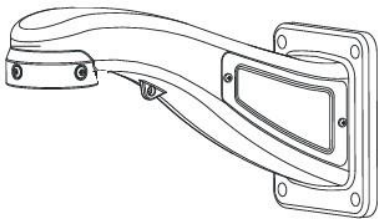
Infrared auto-dimming technology	Support	
General Parameters		
OSD	Support	
Protection grade	IP66	
Mechanical properties	Horizontal range	360°
	Horizontal speed	0.01°~350°/S
	Vertical range	-5~90° (Auto flip)
	Vertical speed	0.01°~120°/S
	Preset point	256
	Patrol	8 Patrols, each patrol up to 32 presets
	Auto scanning	8
	Pattern	4 Patterns, 500 commands (about 30 minute)/pattern
	Privacy zone	8 area
Material	All Aluminum Crust	
Operating Temperature	-35℃~+55℃	
Operating Humidity	0% - 90%	
Power	DC12V±10%	
Power Consumption	50W(MAX)	
Dimension	Φ228 *290mm	
Weight	3.9KG	
Model	Marks	
IPC403H-MPS-IR	150m IR,PTZ, Hitachi 18x optical, 12x digital zoom	
IPC403H-MPC-TH-IR	150m IR,PTZ, Hitachi 20x optical	
IPC403H-MPC-TS-IR	150m IR,PTZ, Sony 20x optical, 12x digital zoom	

>>| Dimension Drawing



>>| Optional Fittings

Wall-mounting bracket



Hanging bracket

